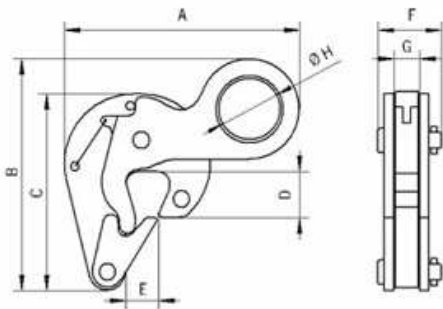


Camlok® Lifting Clamps

DC500 DRUM CLAMP

The DC500 drum clamp has been designed to lift and transport steel drums. If moving empty or sealed drums then one clamp is sufficient. Should you be lifting an open full drum, then two clamps should be used with a two leg chain sling.

This clamp is extremely light weight and very quick and easy to use.



Model	WLL kg*	A mm	B mm	C mm	D mm	E mm	F mm	G mm	H mm	Weight kg*
DC500	500	152	150	127	30	21	41	17	40	1.2

*Per clamp. NB: For use with STEEL DRUMS only.

