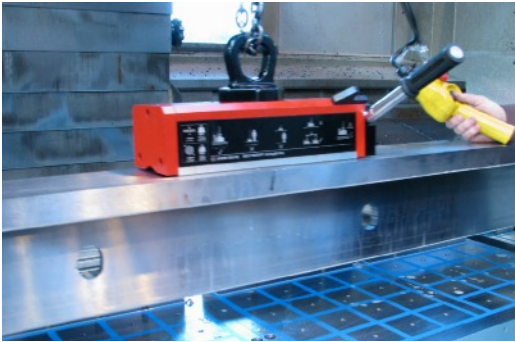


Ultralift LM Lifting Magnet

Manually operated general purpose lifter

Datasheet no. 302



Excellent performance to weight ratio achieved by using high-energy neodymium magnets arranged in an efficient magnetic circuit Superb holding force for a safe, reliable lift.

Locking switch on clamping mechanism prevents accidental switching.

Suitable for

Ferrous sheet/plate thicknesses greater than 20mm maximum weight of 2000kg

Ferrous round bar up to 600mm diameter maximum weight of 800kg

Suitable locations

Machine shops, fabrication shops, steel stockholders, manufacturers

Benefits

- Easy to install
- Simple one man operation
- No power required
- Load surface not marked
- High performance magnet material providing high performance at a lower weight
- Save space as access is only needed to the top of the load

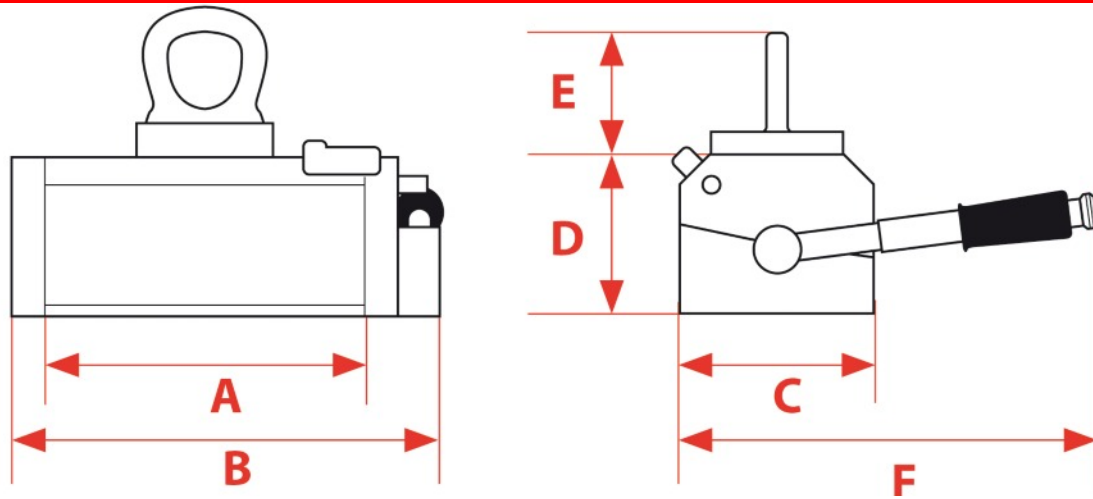
DLHONLINE

Division of Dale Group of Companies
Dale Lifting and Handling Specialists
2 Kelbrook Road Manchester M11 2QA

Website www.dlhone.co.uk

Email sales@dale-lifting.co.uk

Tel 0161 223 1990 Fax 0161 223 6767



Product Information

| Part Number | Weight kg | Diameter (mm) | | | | | | MAX | Flat Section | | Round Section | |
|-------------|--------------|---------------|-----|-----|-----|-----|-----|------|--------------|------|---------------|------|
| | | A | B | C | D | E | F | | SWL* kg | Min. | SWL* kg | MAX. |
| LM0125 | 4.5 | 110 | 150 | 76 | 62 | 54 | 150 | 1500 | 125 | 20 | 50 | 250 |
| LM0250 | 8.5 | 165 | 210 | 90 | 72 | 76 | 200 | 1500 | 250 | 25 | 100 | 300 |
| LM0500 | 17.5 | 225 | 281 | 106 | 88 | 103 | 243 | 2000 | 500 | 30 | 200 | 400 |
| LM1000 | 36.5 | 325 | 391 | 136 | 103 | 113 | 365 | 3000 | 1000 | 45 | 400 | 450 |
| LM2000 | 79 | 400 | 483 | 186 | 132 | 170 | 526 | 3000 | 2000 | 70 | 800 | 600 |

*SWL indicates a 3:1 safety factor

Performance

SWL performance criteria

Flat ground mild steel plate of thickness, equal to or greater than the specified minimum thickness

Magnetic material

Rare earth neodymium iron boron

Temperature

-10°C (14°F) / +80°C (176°F)

Maximum humidity

80%

Materials

End plates

Aluminium - painted

Housing

Mild steel

Pole feet

Mild steel - plated

Conformity

The Ultralift Plus range conforms to the following:

Machinery Directive 98/37/CE

BS EN ISO12100-1 Basic Engineering Principles

BS EN 13155:2003 Cranes safety: non-fixed load lifting attachments

SS7665601 Swedish standards for magnetic lifting devices

ASME B30.20

If you have any more questions, require technical assistance and would like a quotation, simply contact us.

While every effort has been made to ensure the accuracy of the information in this publication please note that specifications may change without notice.



A world leader in magnetic technology



FM31278