



Electric winch model BETA-EX

Capacity 320 - 7500 kg

Electric winches of the series BETA-EX are designed according to the EU Directives 94/9/EG and MRL 2006/42/EG. The models are usable in any place, where the risk of ignition of explosive atmosphere exists (Mixture of air, gases, fumes and dust/air-mixture, respectively). Due to a specially-tailored modular system, the suitable winch for each individual application can be put together easily. The BETA-EX is characterized by the excellent workmanship in connection with the reliable and stable gear motors.

Features

- Electric control incorporated in a flame-proof housing Ex II 2 GD de IIB T4 T 135 °C
- Electric control not ATEX-compliant (Mounting outside of ATEX-area)
- Hand-actuated auxiliary switch in ATEX-design with Up/Down and emergency stop for an enhanced operating safety.
- From a load capacity of 1000 kg equipped as standard with an overload protection.
- Standard operating voltage: Euro-voltage 380 - 420 V, 3-phase, 50 Hz
- Insulation class F
- Grooved drum and one rope fixation on each flanged wheel.
- Suitable ambient temperature -20 °C up to +40 °C.

Application area

Chemical or petrochemical industry, biogas plants, paint shops

Options


- Different ambient temperatures
- Different operating voltages
- Electric overload protection for winches with a load capacity below 1000 kg
- Infinitely variable speed regulation
- Rope pressure drum
- Slack rope switch
- Gear limit switch
- Special surface coating
- Multi compartment drum or drum extensions for a higher rope capacity.
- Sheaves, pulley blocks (ATEX-compliant Ex II 2 GD IIB T4 135 °C IP65).
- Special ropes for ATEX-areas with copper-plated load hook.

! For determining the required rope length, please take into account that at least 2 to 3 windings must remain on the drum!

Technical data model BETA-EX

Art.-No.	Size	Capacity 1 st layer kg	Capacity top layer kg	Lifting speed 1 st layer m/min	Lifting speed top layer m/min	Rope diameter* mm	Motor kW	Classification FEM/ISO	Useable rope length 1 st layer m	Useable rope length top layer m	Weight without rope kg
040039001	P 1	320	272	5.9	7.0	5	0.37	2m/M5	16.2	77.8	82.4
040039003	P 1	320	272	13.8	16.4	5	0.75	2m/M5	16.2	77.8	89.9
040039004	P 1	320	272	19.0	22.6	5	1.1	2m/M5	16.2	77.8	106
040039020	P 1.5	500	412	6.0	7.5	6	0.55	2m/M5	13.62	67.58	95.9
040039021	P 1.5	500	412	13.1	16.4	6	1.1	2m/M5	13.62	67.58	113
040039023	C 1.5	630	492	6.8	8.7	6	0.75	1 Am/M4	10.8	54.76	95.9
040039024	C 1.5	630	492	14.4	18.4	6	1.5	1 Am/M4	10.8	54.76	113
040039031	P 2	800	669	4.7	5.6	8	0.75	2m/M5	17.1	85.5	125.9
040039033	P 2	800	669	11.4	13.7	8	1.5	2m/M5	17.1	85.5	151.5
040039034	P 2	800	669	20.5	24.6	8	3	2m/M5	17.1	85.5	151.5
040039037	C 2	980	711	3.4	4.7	9	0.55	1 Am/M4	11	77.4	125.9
040039038	C 2	980	711	6.7	9.2	9	1.1	1 Am/M4	11	77.4	143
040039039	C 2	980	711	16.6	22.9	9	3	1 Am/M4	11	77.4	151.5
040039050	P 3	1250	1077	5.2	6.0	12	1.1	2m/M5	16.3	61.3	203.5
040039051	P 3	1250	1077	10.4	12.1	12	2.2	2m/M5	16.3	61.3	215
040039052	P 3	1250	1077	13.8	16.0	12	3	2m/M5	16.3	61.3	215
040039055	C 3	1600	1166	3.9	5.4	12	1.1	1 Am/M4	12.1	87.7	203.5
040039057	C 3	1600	1166	10.3	14.1	12	3	1 Am/M4	12.1	87.7	215
040039058	C 3	1600	1166	19.2	26.3	12	5.5	1 Am/M4	12.1	87.7	287.4
040039059	E 3	2000	1299	3.1	4.8	12	1.1	1 Bm/M3	9.7	73.7	203.5
040039060	E 3	2000	1299	8.3	12.8	12	3	1 Bm/M3	9.7	73.7	215
040039061	E 3	2000	1299	15.5	24.5	12	5.5	1 Bm/M3	9.7	73.7	287.4
040039065	P 3.5	2500	2083	4.9	5.9	14	2.2	2m/M5	13.8	53.9	262
040039067	P 3.5	2500	2083	9.3	11.2	14	4	2m/M5	13.8	53.9	301.6
040039068	P 3.5	2500	2083	12.9	15.5	14	5.5	2m/M5	13.8	53.9	338.4
040039070	C 3.5	3200	2169	4.0	5.9	14	2.2	1 Am/M4	11.4	85.6	262
040039072	C 3.5	3200	2169	7.6	11.3	14	4	1 Am/M4	11.4	85.6	301.6
040039073	C 3.5	3200	2169	10.6	15.7	14	5.5	1 Am/M4	11.4	85.6	338.4
040039081	C 4	4000	2664	5.7	8.6	18	4	1 Am/M4	12.7	98.3	502.6
040039082	C 4	4000	2664	10.4	15.7	18	7.5	1 Am/M4	12.7	98.3	539.4
040039083	C 4	4000	2664	15.5	23.3	18	11	1 Am/M4	12.7	98.3	617.5
040039085	E 4	5000	3298	4.7	7.2	16	4	1 Bm/M3	11.9	91.5	502.6
040039086	E 4	5000	3298	8.6	13.1	16	7.5	1 Bm/M3	11.9	91.5	539.4
040039087	E 4	5000	3298	12.7	19.3	16	11	1 Bm/M3	11.9	91.5	617.5
040039094	C 5	6300	4395	2.9	4.2	20	3	1 Am/M4	16.4	123.5	1047.4
040039095	C 5	6300	4395	6.5	9.3	20	7.5	1 Am/M4	16.4	123.5	1111.4
040039096	C 5	6300	4395	9.6	13.7	20	11	1 Am/M4	16.4	123.5	1205.5
040039097	E 5	7500	4891	2.3	3.6	20	3	1 Bm/M3	13.4	104.8	1047.4
040039098	E 5	7500	4891	5.3	8.1	20	5.5	1 Bm/M3	13.4	104.8	1111.4
040039099	E 5	7500	4891	7.8	11.9	20	11	1 Bm/M3	13.4	104.8	1205.5

*recommended rope 1960 N/mm² (not included in the delivery package)

 Pfaff winches are not designed for passenger elevation applications and must not be used for this purpose.

DALE Lifting and Handling Specialist
2 Kelbrook Road Manchester M11 2QA
Tel: 0161 223 1990 Email: sales@dale-lifting.co.uk

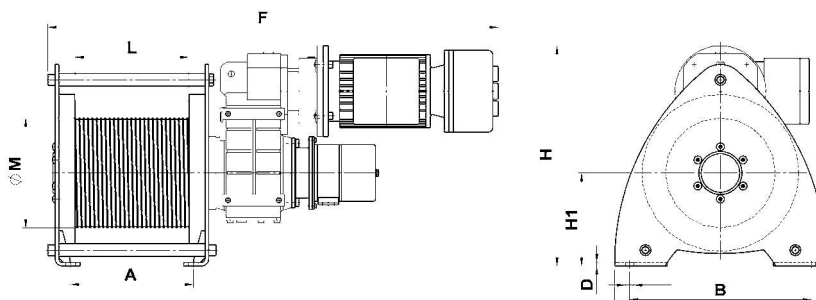
Dimensions model BETA-EX

Art.-No.	040039001	040039003	040039004	040039020	040039021	040039023	040039024	040039031	040039033	040039034
A, mm	215	215	215	215	215	215	215	270	270	270
B, mm	300	300	300	300	300	300	300	400	400	400
Ø C, mm	13.5	13.5	13.5	13.5	13.5	13.5	13.5	18	18	18
D, mm	6	6	6	6	6	6	6	8	8	8
F, mm	805	874	944	888	958	888	958	987	1089	1089
G, mm	340	340	340	340	340	340	340	465	465	465
H, mm	320	320	320	370	370	370	370	472	472	472
H1, mm	150	150	150	150	150	150	150	205	205	205
L, mm	200	200	200	200	200	200	200	250	250	250
Ø M, mm	175	175	175	175	175	138	138	242	242	242

Art.-No.	040039037	040039038	040039039	040039050	040039051	040039052	040039055	040039057	040039058	040039059
A, mm	270	270	270	320	320	320	320	320	320	320
B, mm	400	400	400	510	510	510	510	510	510	510
Ø C, mm	18	18	18	22	22	22	22	22	22	22
D, mm	8	8	8	10	10	10	10	10	10	10
F, mm	987	1057	1089	1160	1192	1192	1160	1192	1330	1160
G, mm	465	465	465	570	570	570	570	570	570	570
H, mm	472	472	472	598	598	598	598	598	598	598
H1, mm	205	205	205	260	260	260	260	260	260	260
L, mm	250	250	250	300	300	300	300	300	300	300
Ø M, mm	175	175	175	295	295	295	218	218	218	175

Art.-No.	040039060	040039061	040039065	040039067	040039068	040039070	040039072	040039073	040039081	040039082
A, mm	320	320	320	320	320	320	320	320	380	380
B, mm	510	510	510	510	510	510	510	510	510	660
Ø C, mm	22	22	22	22	22	22	22	22	26	26
D, mm	10	10	10	10	10	10	10	10	12	12
F, mm	1192	1330	1204	1280	1341	1204	1280	1341	1418	1553
G, mm	570	570	570	570	570	570	570	570	720	720
H, mm	598	598	672	672	672	672	672	672	816	816
H1, mm	260	260	260	260	260	260	260	260	325	325
L, mm	300	300	300	300	300	300	300	300	350	350
Ø M, mm	175	175	295	295	295	242	242	242	295	295

Art.-No.	040039083	040039085	040039086	040039087	040039094	040039095	040039096	040039097	040039098	040039099
A, mm	380	380	380	380	430	430	430	430	430	430
B, mm	660	660	660	660	800	800	800	800	800	800
Ø C, mm	26	26	26	26	34	34	34	34	34	34
D, mm	12	12	12	12	15	15	15	15	15	15
F, mm	1667	1418	1553	1667	1752	1638	1822	1752	1638	1822
G, mm	720	720	720	720	882	882	882	882	882	882
H, mm	816	816	816	816	1060	1060	1060	1060	1060	1060
H1, mm	325	325	325	325	400	400	400	400	400	400
L, mm	350	350	350	350	400	400	400	400	400	400
Ø M, mm	295	242	242	242	364	364	364	295	295	295



Sheave block-EX
for rope guidance,
equipped with ball bearings,
incl. earthing screw and copper-coated sheave
model DSRBX S

Technical data model DSRBX S

Model	Art.-No.	Classification	Pulling force in kg at deflection 90°	Pulling force in kg at deflection 180°	Rope diameter
					FEM/ISO
DSRBX S 90/4	0400431113	2m/M5	700	500	4
DSRBX S 145/5	0400431114	4m/M6	1100	800	5
DSRBX S 145/6	0400431115	2m/M5	1100	800	6
DSRBX S 185/8	0400431117	2m/M5	2300	1630	8
DSRBX S 185/9	0400431118	1Am/M4	2300	1630	9
DSRBX S 270/12	0400431121	2m/M5	2500	1800	12
DSRBX S 325/14	0400431123	2m/M5	4500	3200	14
DSRBX S 400/16	0400431124	3m/M6	5000	3800	16
DSRBX S 400/18	0400431125	2m/M5	5000	3800	18
DSRBX S 490/20	0400431126	3m/M6	8000	6000	20



Dimensions model DSRBX S

Model	DSRBX S 90/4	DSRBX S 145/5	DSRBX S 145/6	DSRBX S 185/8	DSRBX S 185/9	DSRBX S 270/12	DSRBX S 325/14	DSRBX S 400/16	DSRBX S 400/18	DSRBX S 490/20
Art.-No.	0400431113	0400431114	0400431115	0400431117	0400431118	0400431121	0400431123	0400431124	0400431125	0400431126
B, mm	85	125	125	138	138	191	260	302	302	313
C, mm	90	160	160	195	195	290	350	430	430	580
Ø D, mm	90	145	145	185	185	270	325	400	400	490
Ø D1, mm	20	25	25	30	30	40	50	50	50	65
Ø Dm, mm	80	125	125	160	162	246	297	368	364	450
E, mm	62	88	88	106	106	138	180	212	212	220
H, mm	134	224	224	273	273	407	490	612	612	694
K, mm	65	110	110	135	135	202	242	310	310	340
L, mm	120	200	200	245	245	360	440	530	530	650
Ø M/M1, mm	9/9	11.5/13	11.5/13	13.5/15	13.5/15	18/20	22/25	26/30	26/30	34/40
S, mm	4	6	6	8	8	10	12	15	15	16

