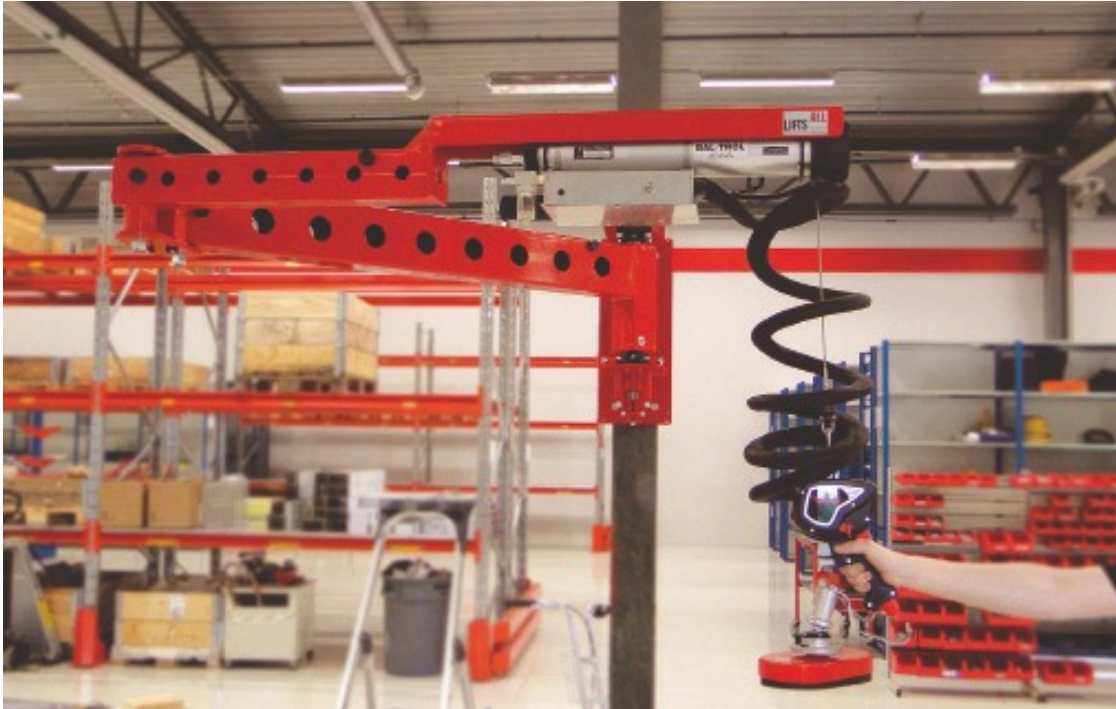


LIFTS ALL

*A new approach to
product handling*



LIFTS ALL MAXI-CRANE

powered by compressed air

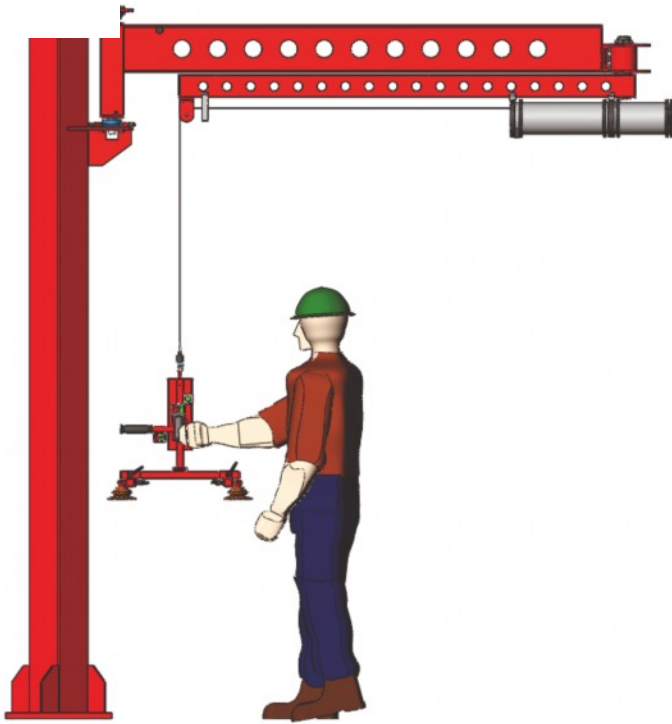
*Tell us what you want to handle and
we will design and install the perfect system*



Join the world of weightless handling

DALE LIFTING AND HANDLING SPECIALISTS 0161 223 1990

LIFTS ALL HANDLING SYSTEM



GENERAL DATA

Maximum load: 100 kg
Range: 4 metres
Column height: 3 metres
Base 450 x 450 mm
Media: clean compressed air (6-7 bar)
Rotation inner arm: 270 degrees



Wall mounted



Ceiling mounted

MAXI-CRANE

Maxi-Crane is a smooth rotating folding crane that can handle loads up to 100 kg, easy and fast! It is very flexible and easily controlled at different angles, with four metre range. It fits well in small workplaces or workspaces where a gantry system will not fit.

The crane is mounted mainly with pillars in the floor, but can also be attached to the ceiling or wall, which allows it to be adapted to different working environments.

Endless rotating boom

Thanks to the handy size and weight of the crane can be easily and quickly installed at a low cost. Low weight combined with low friction in the joints makes the Maxi Crane very quiet and easy to work with. Another advantage of Maxi Crane is that the outer boom, due to its smart design, can rotate not only a full lap without endless! Thanks to the crane's flexibility and responsiveness outperforms all comparable to the jib cranes, jib cranes and Articulated Jib at ease.

Pneumatic knuckle boom crane

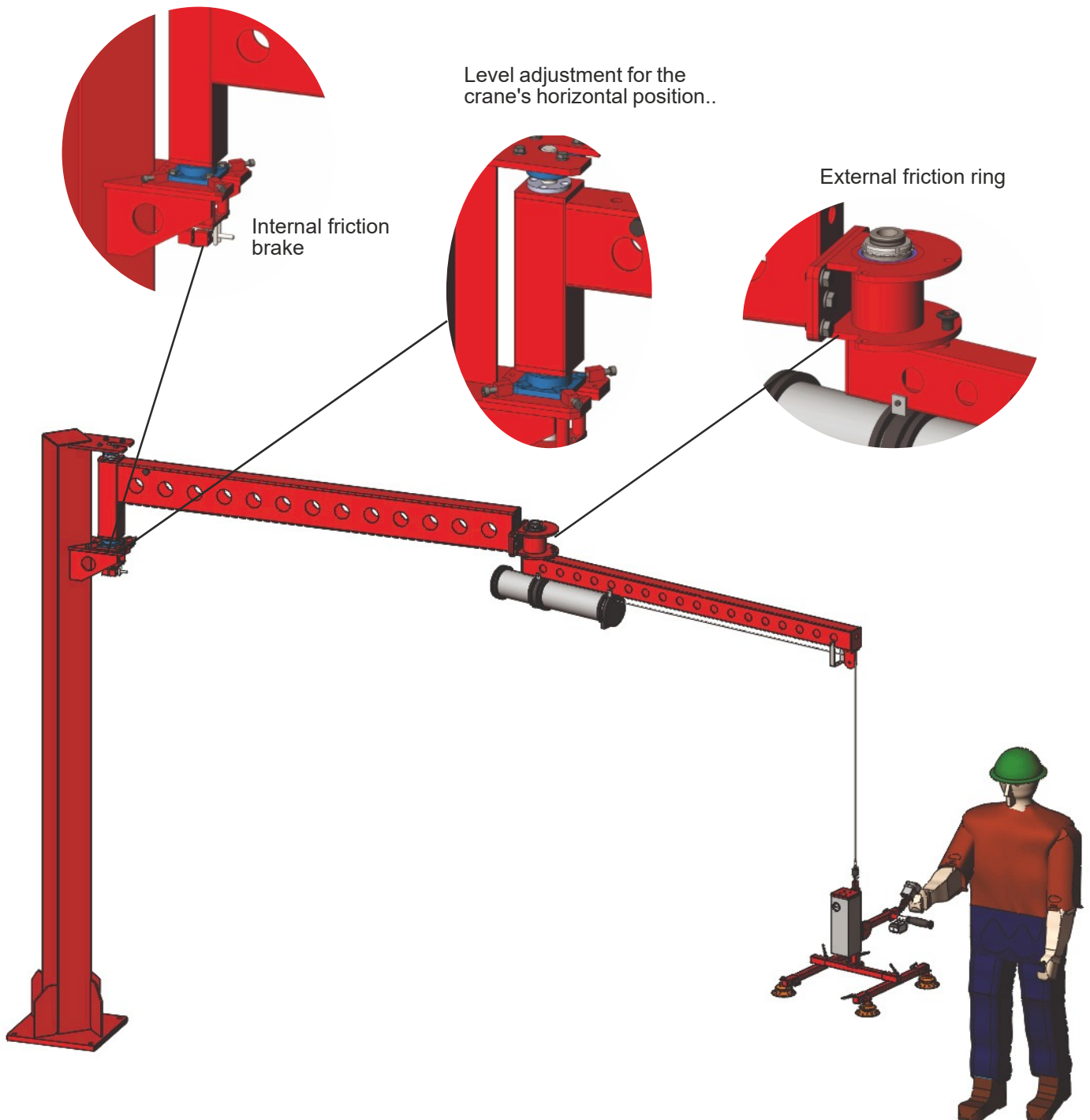
Lifts All lifting equipment not only saves backs, but also time and money. Because the crane is powered by compressed air alone, saved energy savings during actual use. Our standby costs nothing!

Lifting aids for clean room environments

For clean room environments a FlexiCrane in stainless steel. Combined with a stainless steel lifting tools, we can thus provide most of the room classed workstations with ergonomic lifting aids. We can polish crane and lifting equipment to the requested finish, and of course delivering ATEX approval for the entire lift system.

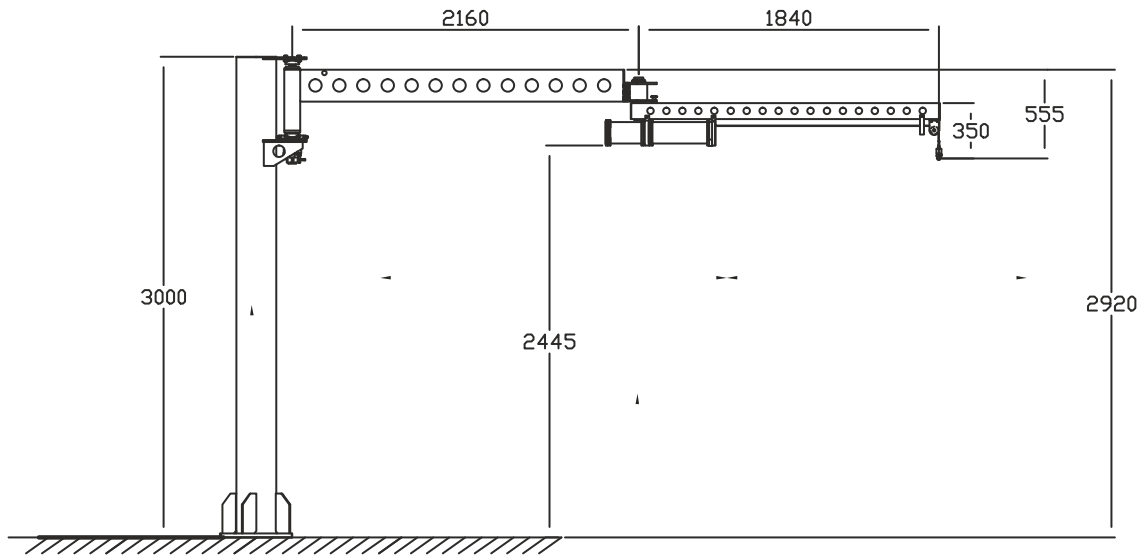
LIFTS ALL HANDLING SYSTEM

MAXI-CRANE FEATURES

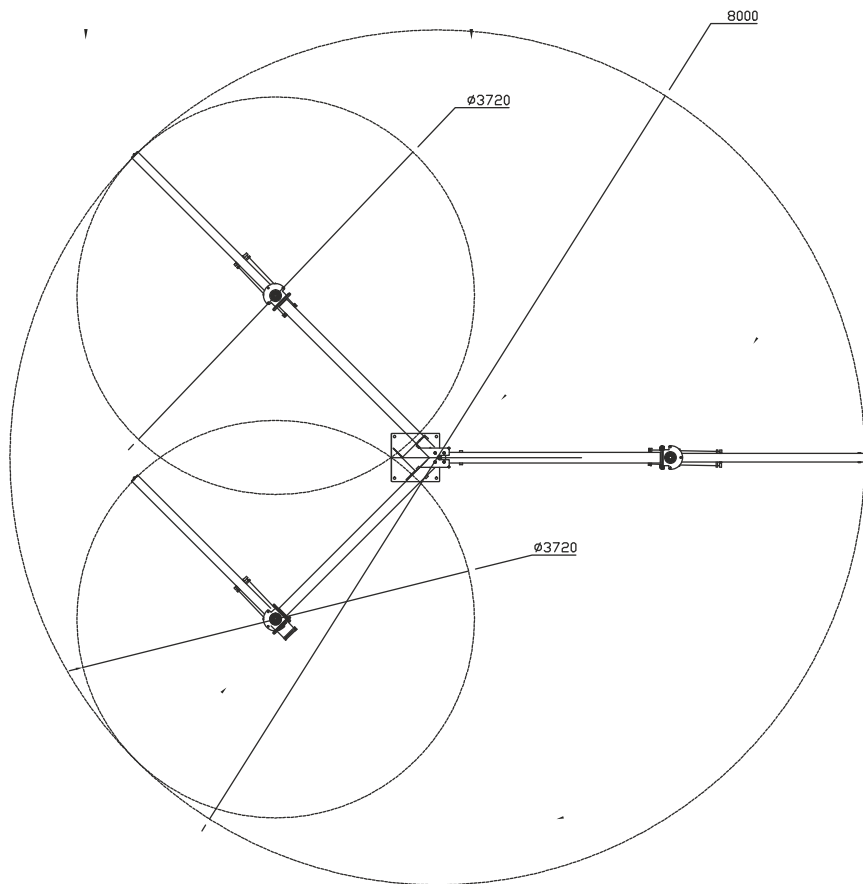


LIFTS ALL HANDLING SYSTEM

MAXI-CRANE DIMENSIONS (mm)



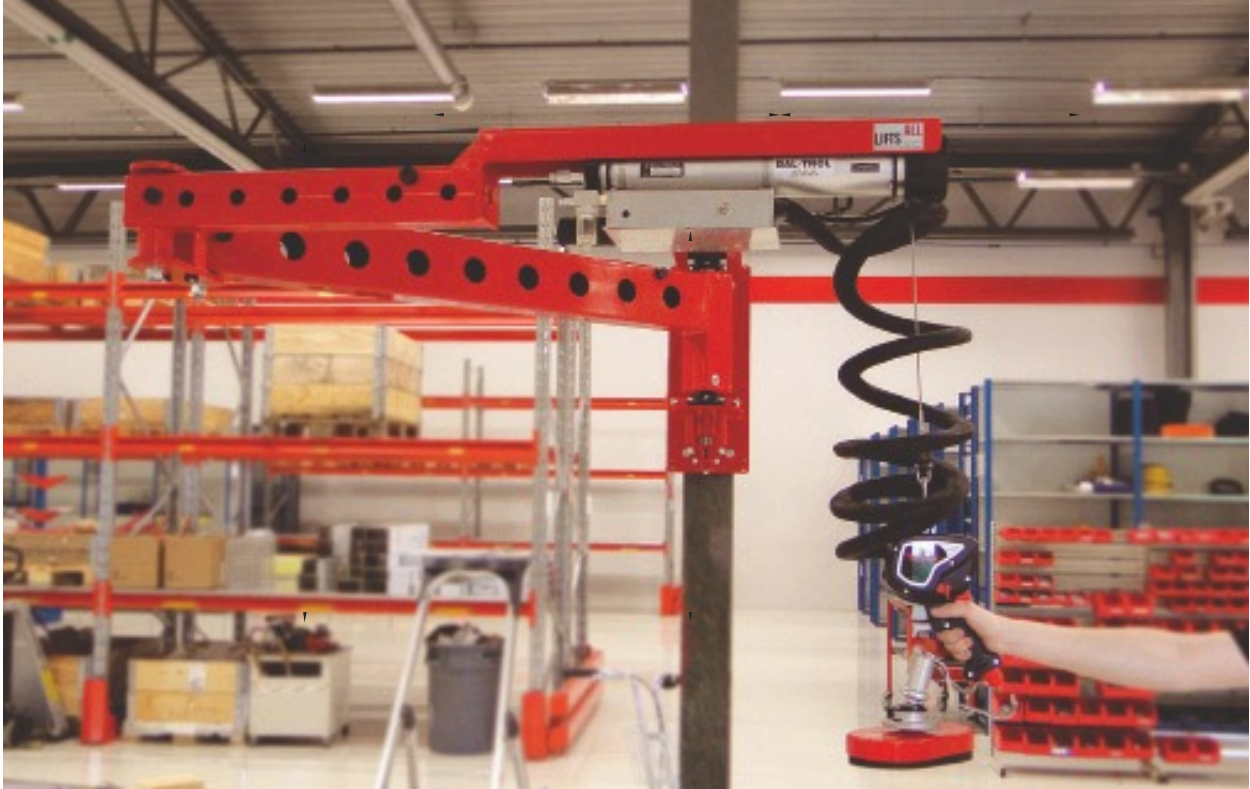
MAXI-CRANE RANGE (mm)



LIFTS ALL HANDLING SYSTEM

Maxi-Crane Mini is a smooth rotating crane with low weight. It can be easily installed at any height on the pillars when clamped.

It still has the same capacity as Maxi-Crane, 100 kg, but a shorter arm of 3000 mm. Thanks to the outer arm design is the crane's head with Bal-Trol very low profile and can fit in the very tightest spaces.



Maxi-Crane Mini is a smooth rotating knuckle boom crane. It has the same capacity as Maxi Crane, 100 kg, but a shorter arm on three metres. It fits well in jobs that are low ceilings, where a conventional crane does not fit.

Quiet and smooth boom

The low weight combined with low friction in the joints makes the Maxi-Crane Mini is very quiet and easy to work with. Lifts All lifting equipment not only saves backs, but also time and money. Thanks to the handy size and weight of the crane is also easy and quick to install at a low cost. The easily installed at any height, clipped to a steel pillar.

Low profile knuckle boom with grippers

The outer lifting arm smart design with built-Bal-Trol make the crane very low profile so that it can fit in the very narrowest areas. It also allows the operator to have maximum lift height. Complete the crane with a hook for buckets, a vacuum lift for cartons or why not a mechanical gripper for lifting and turning reels? The grippers are tailored to optimise your management process and changed on a minute by the user. As simple as that!

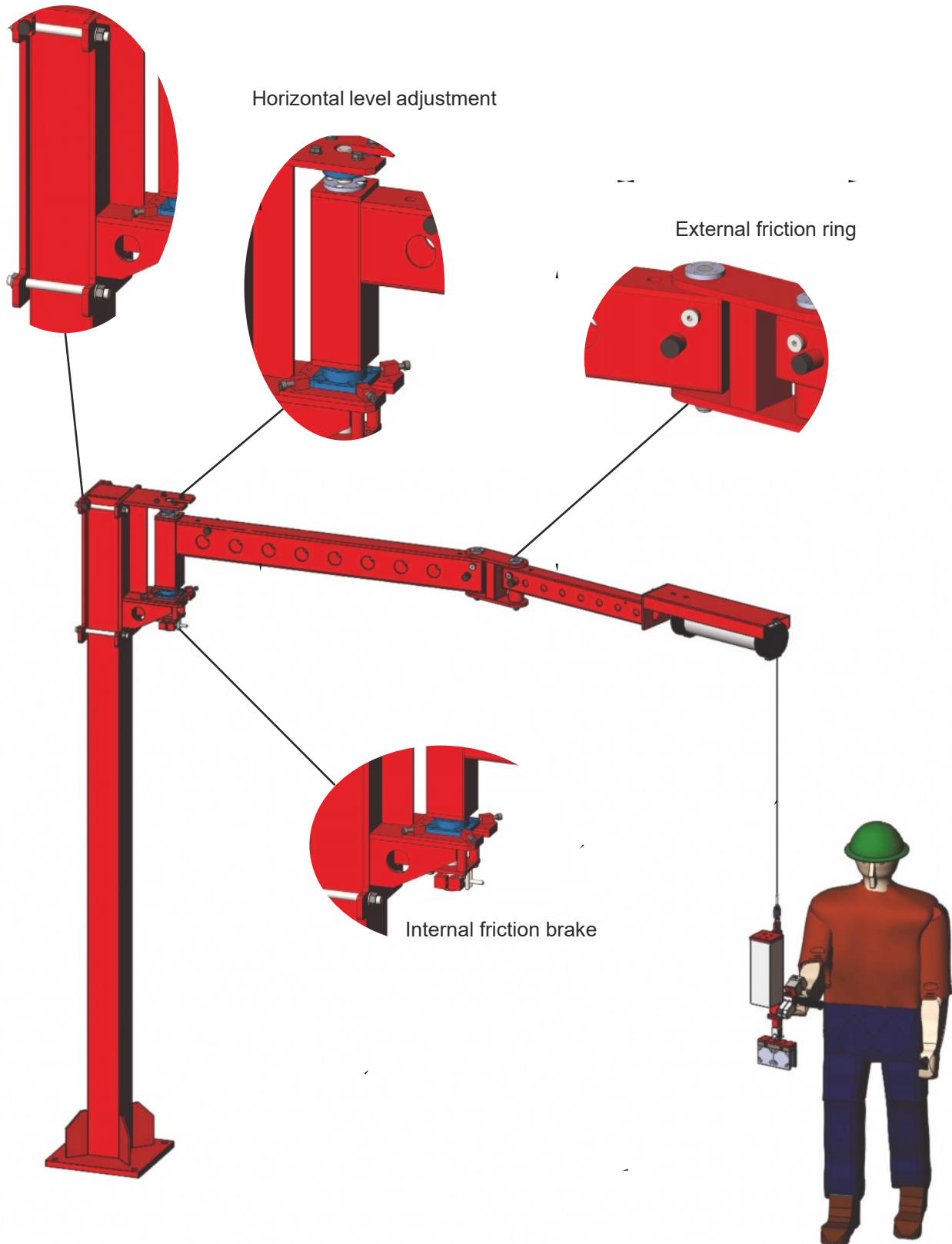
GENERAL DATA

Maximum load: 100 kg
Range: 3 metres
Column height: 3 metres
Base size 450 x 450 mm
Media: clean compressed air (6-7 bar)
Rotation inner arm: 270 degrees
Rotation outer arm: 360 degrees (not freely rotating)

LIFTS ALL HANDLING SYSTEM

The crane arm can be easily installed at any height on the pillar with clamps.

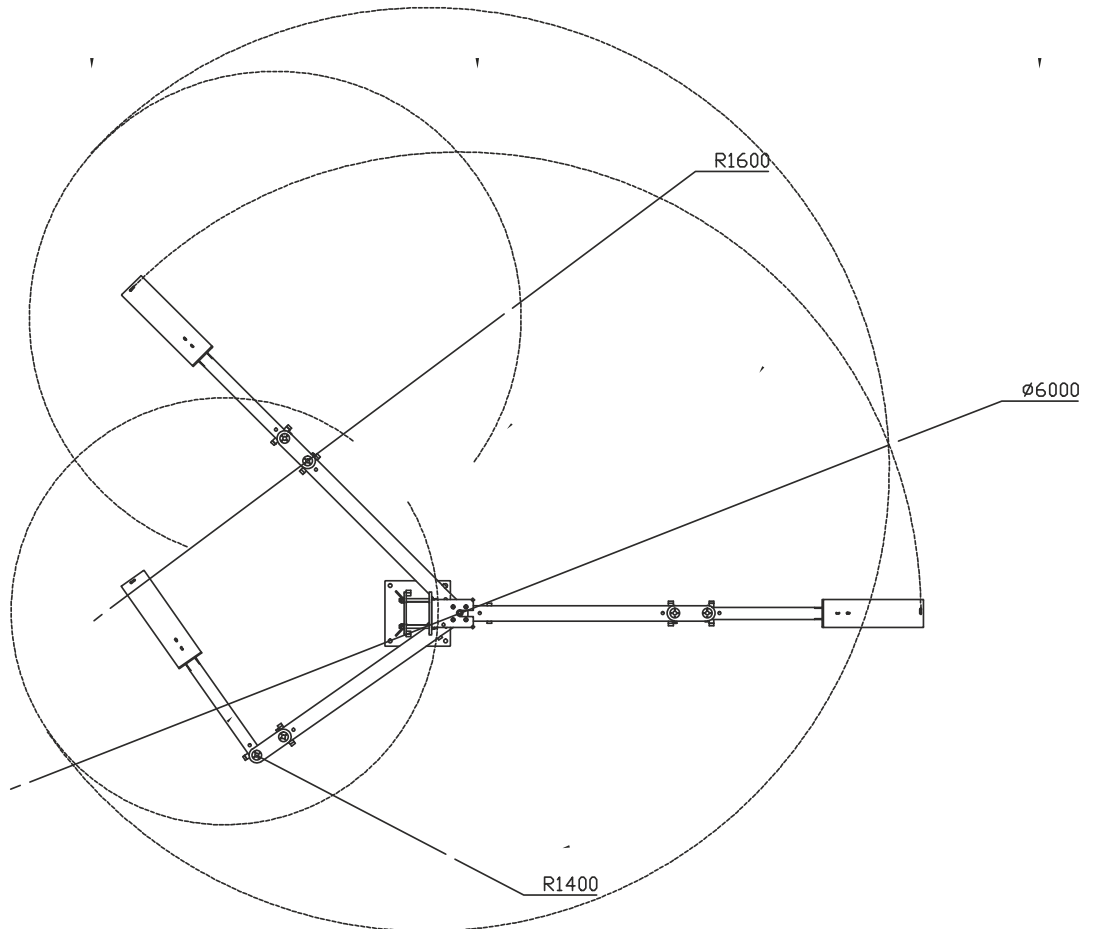
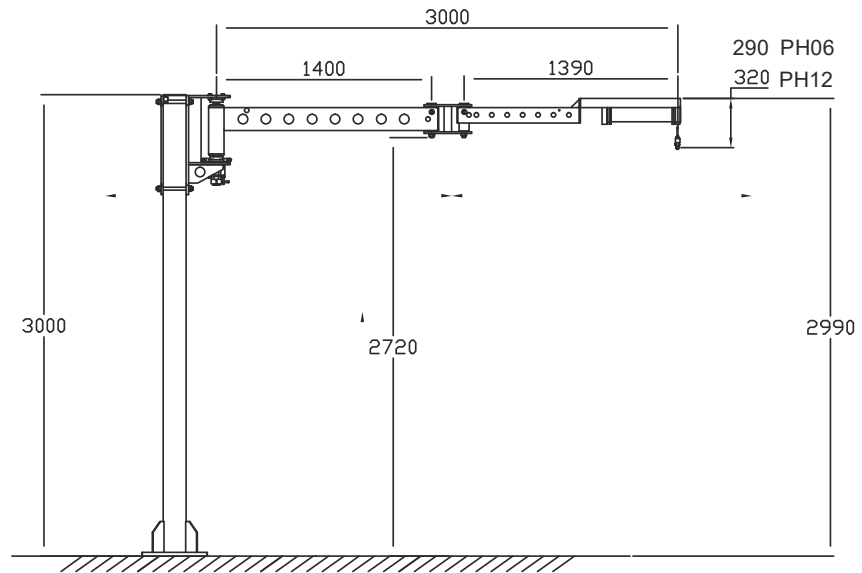
MAXI-CRANE MINI



LIFTS ALL HANDLING SYSTEM

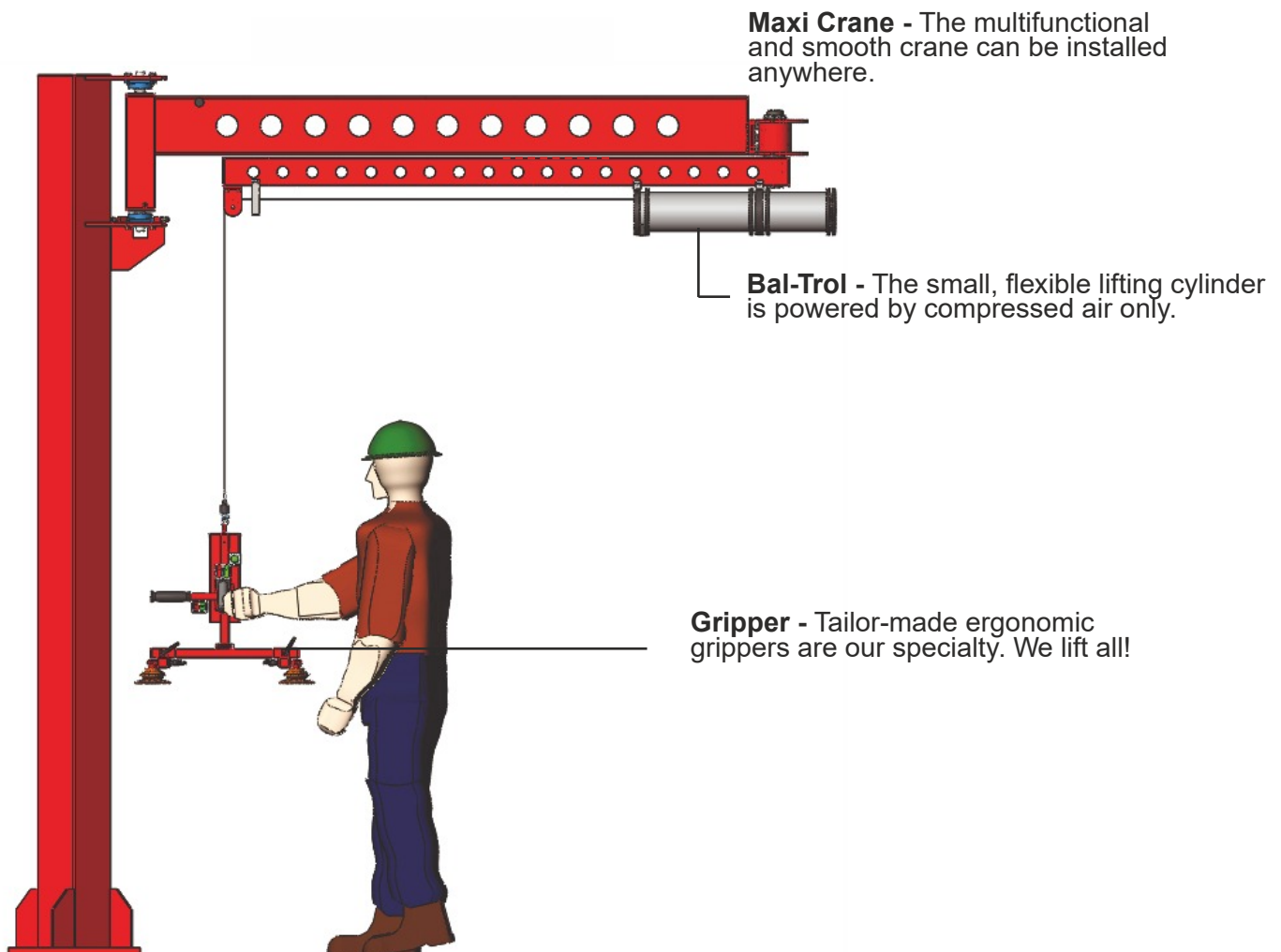
LIFTING WITH MAXICRANE MINI

Dimensions Floor Mounted (mm)



LIFTS ALL HANDLING SYSTEM

YOUR COMPLETE LIFTING SYSTEM



We are happy to make your handling weightless and ergonomic. You give us your trust and **DALE** will provide you with a superior solution for your handling.

Please contact us for a complete review of your work place handling

DALE Lifting and Handling Specialists
are the UK distributors of the LIFTS **ALL** Handling System
2 Kelbrook Road, Manchester M11 2QA

Website: www.dlhonline.co.uk Email: sales@dale-lifting.co.uk

DALE LIFTING AND HANDLING SPECIALISTS 0161 223 1990