

Tiger Brake Hand Winch Model BHW



BHW



BHW- Corrosion Protected

Main Features

- High quality multi-purpose winch
- Automatic load-actuated brake can hold the load in any position
- Compact, light-weight and rugged construction
- Gears and brakes fully covered to prevent dust, dirt and rain contamination
- Heat treated gears
- Very low operator effort required for easy operation
- Universal mounting plate
- Available as 800lb, 1200lb, 1800lb and 2600lb models.
- For cable and strap
- Finished in high quality powder coat paint offering excellent corrosion protection
- Available with OCP corrosion protection
- Ratchet handle/Ceiling mount options available
- Noiseless 1200lb model available

Tiger Brake Winch

The Tiger Brake Winch is a high quality multi-purpose winch. The twin pawl automatic brake ensures the load remains suspended when the crank is released and avoids unchecked descent of the load. These units meet and exceed all the requirements within BS EN 13157: 2004+A1:2009.



Certification:

Each unit comes fully certified with a test certificate or an EC Declaration of Conformity stating compliance with the essential health and safety requirements of the Machinery Directive 2006/42/EC.

Noiseless 1200lb model:

This model is equipped with a patented quiet brake design that is virtually silent and fully automatic. Best suited to those locations where quiet is required, such as schools, hospitals and theatres.

Corrosion Protection Option:

This model is protected by our unique coating – OCP (Organic Compound Protection)
 The uniqueness of this coating gives unprecedented long term reliability and superior corrosion resistance and protection in the most severe conditions. The OCP coating provides excellent friction protection and has been proven to be effective through at least 1000 hours of the ASTM B 117 Salt Spray Test. The coating gives the properties of stainless steel without the cost implications.

Technical Data

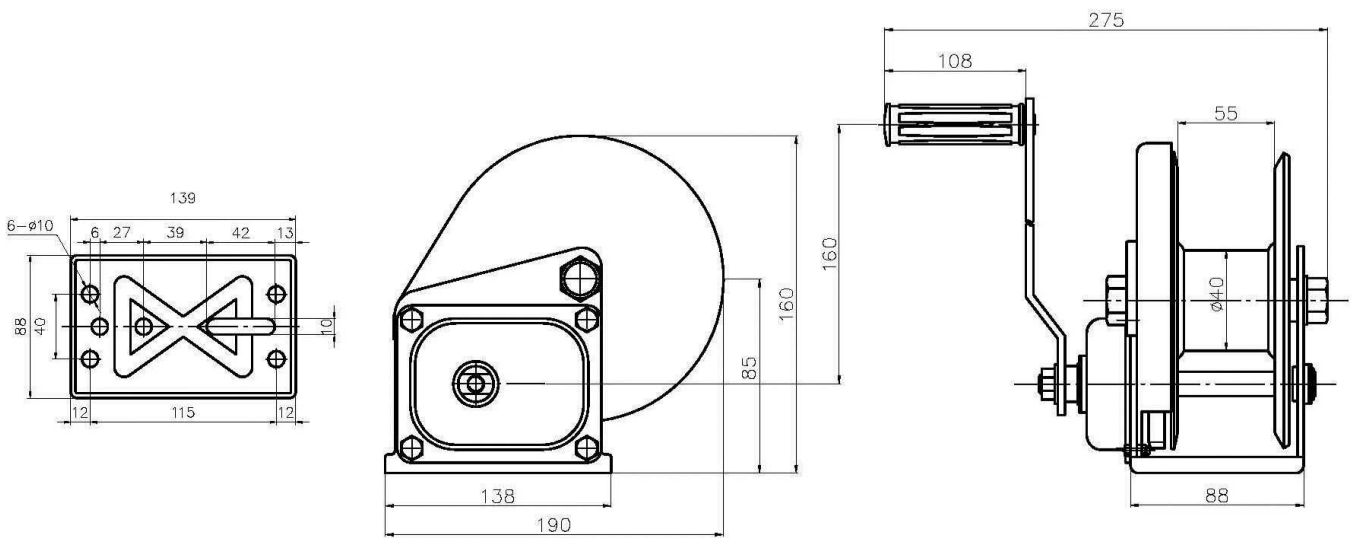
Product Code	Pulling Capacity (lbs/kg)	Lifting Capacity (lbs/kg)			Gear Ratio	Hub Diameter (mm)	Handle Length (mm)	Unit Weight (kg)	Cable Diameter (mm/inch)	Cable Storage Cap. (m)	Strap Storage Cap. (m)
		1 st Layer	3 rd Layer	Last Layer							
BHW-0800	800/360	800/360	560/254	400/180	4.1:1	40	160	3.0	4.0/5/32	36	9.1
BHW-1200	1200/550	1200/550	864/392	600/275	4.1:1	50	210	3.3	4.8/3/16	23	8.5
BHW-1800	1800/800	1800/800	1239/562	900/400	5:1	70	320	8.0	6.4/1/4	24	14.1
BHW-2600	2600/1180	2600/1180	1861/844	1300/590	10:1	80	320	10.3	8.0/5/16	18	10.6



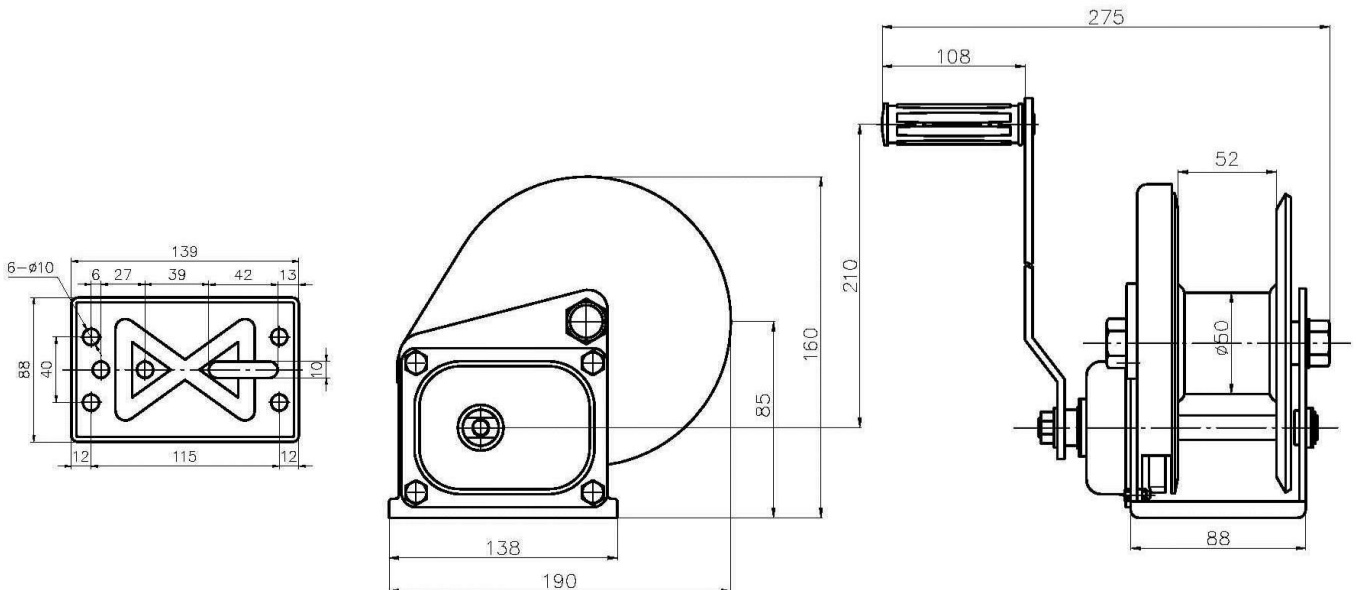
Winch Straps

Product Code	Description	Width (mm)	Thickness (mm)	Breaking load	Available for
TG-48	6 meters with safety hook	48	1.2	2068.5 kgs	BHW-800 & BHW-1200
TG-54	9 meters with safety hook	54	1.4	2864 kgs	BHW-1800
TG-60	9 meters with safety hook	60	1.7	4136 kgs	BHW-2600

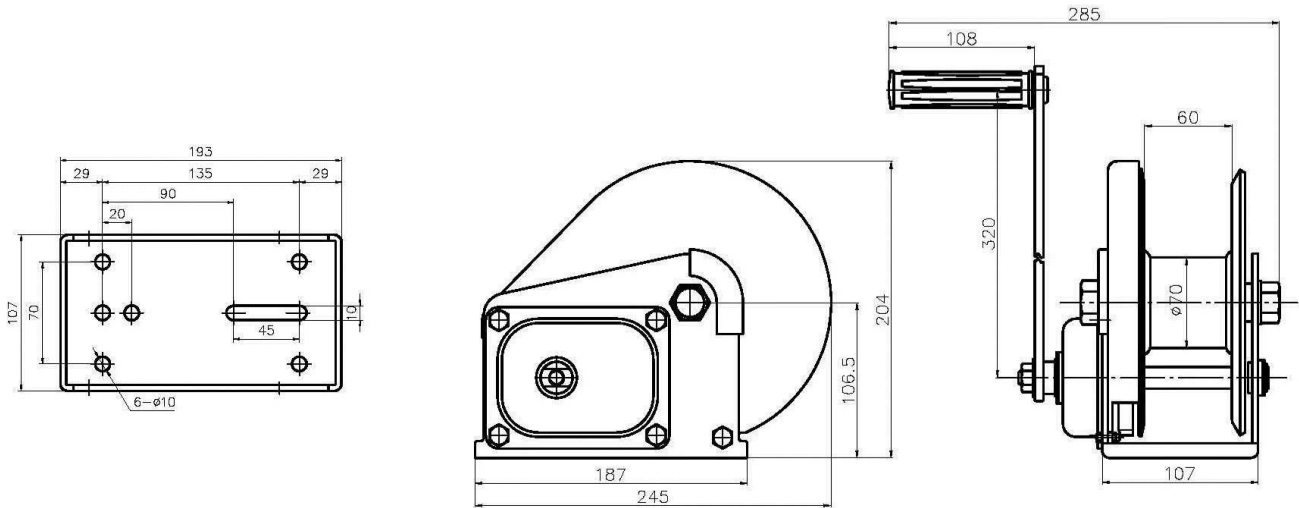
Technical Drawings



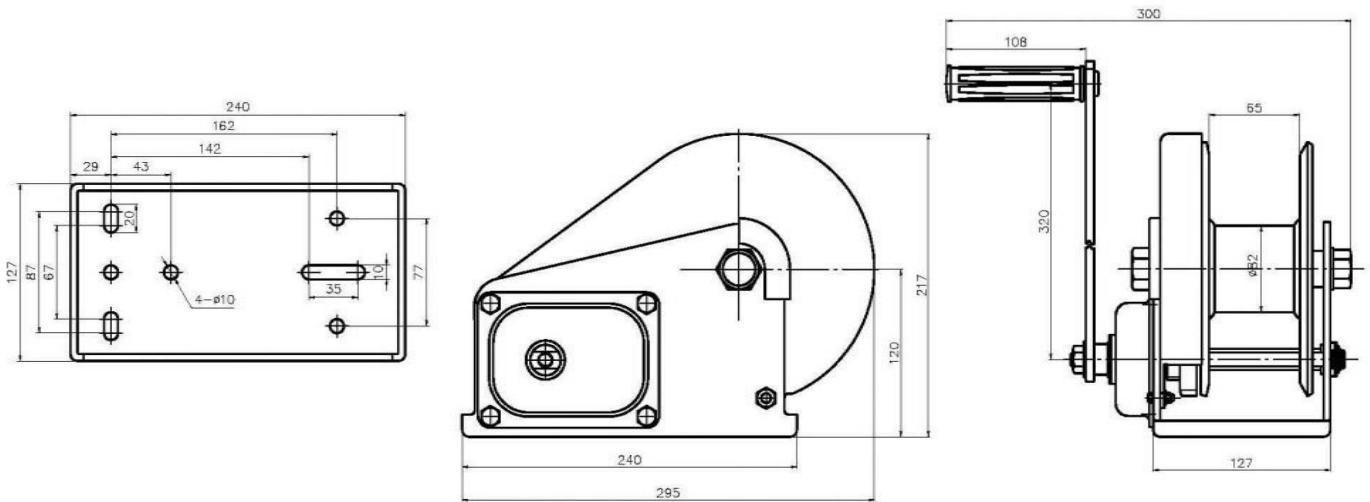
BHW-800



BHW-1200



BHW-1800



BHW-2600

Due to our policy of continual product development, dimensions, weights and specifications may change without prior notice. Please check with your Tiger sales team when ordering.



Available from

DALE

Lifting and Handling Specialists

2 Kelbrook Road

Manchester

M11 2QA

Telephone 0161 223 1990

Facsimile 0161 223 6767

Email sales@dale-lifting.co.uk

Website www.dlhone.com