

# DLHONLINE

## Manual wire rope winches

### Wall-mounted wire rope winch SW-W ALPHA

SW-W ALPHA is the versatile wall-mounted wire rope winch for lifting loads.

#### Equipment and processing

- Carrying loads 300 – 1000 kg
- Robust steel sheet housing with low weight and flat build
- Smoothly running spur gear for high efficiency
- Rope output possible in all directions
- All parts galvanized, the rope drum is additionally coated with KTL
- Attached hand crank with load pressure brake ensures secure hold of the load in any position
- Simple and quick attachment to walls



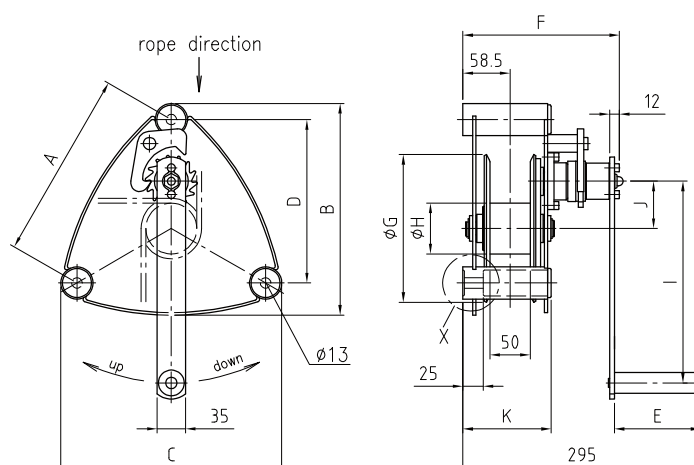
#### Technical data

Model	Art. no.	Capacity 1 <sup>st</sup> layer	Capacity top layer	Drum length	Rope-Ø*	Useable rope length 1 <sup>st</sup> layer	Useable rope length top layer	Lift per crank rotation	Req. crank effort	Weight w/o rope
		kg	kg	mm	mm	m	m	mm	daN	kg
ALPHA 300	30272006	300	130	50	5	1.3	28	57	13	10
ALPHA 500	30272005	500	230	50	6	1	20	55	17	10
ALPHA 750	30272002	750	270	50	7	1	26	45	17	16
ALPHA 1000	30272001	1000	360	50	7	1	26	45	18	16

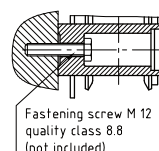
\*recommended rope: DIN 3060 FE-znk 1770 sZ-spa

#### Dimensions

Model	ALPHA 300	ALPHA 500	ALPHA 750	ALPHA 1000
Art. no.	30272006	30272005	30272002	30272001
A, mm	234	234	306	306
B, mm	262	262	337	337
C, mm	274	274	357	357
D, mm	203	203	265	265
E, mm	107	107	107	107
F, mm	194	194	194	194
G, mm	183	183	255	255
Ø H, mm	63	63	63.5	63.5
I, mm	200	250	250	320
J, mm	58.6	58.6	92.5	92.5
K, mm	109.5	109.5	107	107



View X



DALE Lifting and Handling Specialists

Website: dlhonline.co.uk

Tel: 0161 223 1990 - Email: sales@dale-lifting.co.uk