

DLHONLINE

Manual wire rope winches

Wall-mounted wire rope winch SW-W-SGO with worm gear

The rope winch SW-W-SGO with worm gear as wall winch, for lifting and lowering in different load classes. A load pressure brake ensures secure stability of the lifted load.

Equipment and processing

- **Carrying loads 250 – 5000 kg**
- Compact winch housing and rope drum of robust steel sheet
- Worm gear with load pressure brake for safe stable hold of the load in any position
- Axis on roller-bearing for better rope unwinding and a longer service life of the winch
- Load and quick gear from 2000 kg carrying load
- Vario hand crank with adjustable crank arm for winches up to a carrying load of 1500 kg
- Simple and quick attachment



Technical data

Model	Art. no.	Capacity 1 st layer	Capacity top layer	Rope-Ø*	Useable rope length 1 st layer	Useable rope length top layer	Lift per crank rotation	Req. crank effort	Weight w/o rope
		kg	kg	mm	m	m	mm	daN	kg
SGO 250	40251003	250	92	4	3.6	104	17	6	13
SGO 500	40252026	500	224	6	4.3	78	20	10	16
SGO 1000	40253006	1000	527	8	5.5	63	13	13	29
SGO 1500	40253000	1500	846	10	4.2	41	9	14	28
SGO 2000	30254002	2000	1038	11	5.4	75	5/12**	11/24**	60
SGO 3000	30255009	3000	1667	14	5.7	68	5/11**	14/31**	78
SGO 5000	30256013	5000	3276	18	5.2	43	3/13**	14/73**	117

*recommended rope: DIN 3060 SE-znk 1770 sZ-sp

**load/quick gear

DALE Lifting and Handling Specialists

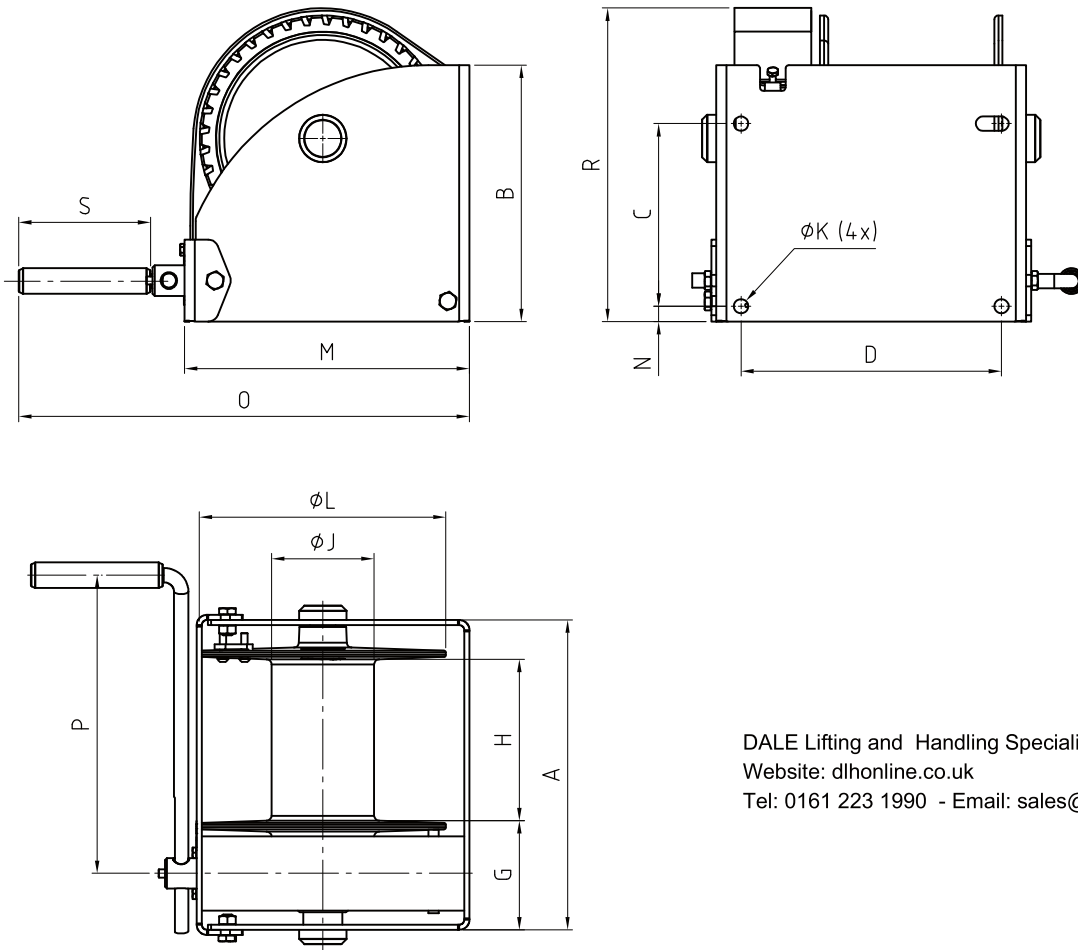
Website: dlhonline.co.uk

Tel: 0161 223 1990 - Email: sales@dale-lifting.co.uk

DLHONLINE Manual wire rope winches

Wall-mounted wire rope winch SW-W-SGO with worm gear

Dimensions							
Model	SGO 250	SGO 500	SGO 1000	SGO 1500	SGO 2000	SGO 3000	SGO 5000
Art. no.	40251003	40252026	40253006	40253000	30254002	30255009	30256013
A, mm	238	269	302	302	410	436	436
B, mm	145	160	195	250	310	380	467
C, mm	100	115	141	178	196	251	316
D, mm	192	223	254	254	360	386	386
G, mm	107	108	109	109	137	137	137
H, mm	105	135	162	162	177	203	200
Ø J, mm	48	70	102	102	133	162	219
Ø K, mm	14	14	17	17	25	25	25
Ø L, mm	160	190	240	240	312	375	437
M, mm	191	221	266	278	372	480	515
N, mm	15	15	15	15	57	65	75
O, mm	365	393	440	451	705	813	847
P, mm	280	325	350	350	380	380	380
R, mm	171	193	263	306	434	536	618
S, mm	132	132	132	132	220	220	220



DALE Lifting and Handling Specialists
 Website: dlhonline.co.uk
 Tel: 0161 223 1990 - Email: sales@dale-lifting.co.uk