

ELECTRIC CHAIN HOISTS  
GP ATEX  
EXPLOSION PROOF



# EXPLOSION PROOF ELECTRIC CHAIN HOISTS GP



**ATEX** is the abbreviation for "**AT**mosphère **EX**plosible" in accordance with the directive 2014/34/EU for marketing of explosion proof electrical and mechanical equipment, components and protective systems. A distinction is drawn between the defined zones explosive gases, steams or fogs (zone 0, 1, 2) and dusts (zone 20, 21, 22).

The dust proof ATEX version achieves its required protection class through its temperature surveillance (Klixon), protection class IP65 and special cable glands.

The gas proof ATEX version (zone 22 and zone 2) additionally prevents gases, steams or fogs from entering by means of a 0.4 bar overpressure inside the casing which constantly feeds compressed air by an external air supply. In case of an air pressure drop, the operating voltage will be interrupted instantly and the lifting respectively travel process is stopped immediately.



Dust proof version  
Black covers



Gas proof version  
Black covers

## YOUR BENEFITS

Our electric chain hoists and electric travel trolleys are in accordance with the directive 2014/34/EU. The operation of ATEX devices is approved if the official EC marking and the EC declaration of conformity is provided which confirm the essential health and safety requirements as well as the processes for conformity assessment are met.

An operator receives the standard operating instruction and the annex special models for GIS ATEX devices.

An inspection pass has to be completed by the user in which the continuously carried out maintenances have to be documented.



## ATEX - dust proof

**Risk area:**  
II 3D Ex tc IIIA T130°C Dc

### Electric chain hoist GP D (Dust)

Black cover with logo  
Protection class IP65  
Temperature surveillance by means of thermocouple (Klixon)  
Surveillance of hoist movements  
Geared limit switch  
ATEX cable glands  
Authorised in accordance with ATEX - directive 2014/34/EU with EC declaration of conformity

### Electric trolley EMFE ATEX dust

Protection class IP65  
Temperature surveillance by means of thermocouple (Klixon)  
Surveillance of trolley movements  
ATEX cable glands  
Authorised in accordance with ATEX - directive 2014/34/EU with EC declaration of conformity

## ATEX - gas proof

**Risk area:**  
II 3D Ex tc IIIA T130°C Dc  
II 3G Ex pz IIA T3 Gb

### Electric chain hoist GP G (Gas)

Black cover without logo  
Protection class IP65  
Temperature surveillance by means of thermocouple (Klixon)  
Surveillance of hoist movements  
Geared limit switch  
ATEX cable glands  
Pressure monitoring:  
compressed air supply of 4-10 bar via compressed air hose with diameter 6 mm requested on-site

Authorised in accordance with ATEX - directive 2014/34/EU with EC declaration of conformity

### Electric trolley EMFE ATEX gas

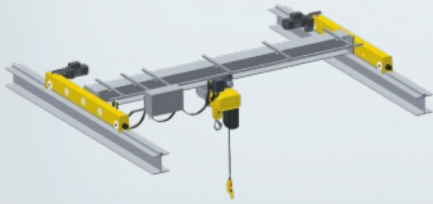
Protection class IP65  
Temperature surveillance by means of thermocouple (Klixon)  
Surveillance of trolley movements  
ATEX cable glands  
Pressure monitoring \* :  
compressed air supply of 4-10 bar via compressed air hose with diameter 6 mm requested on-site  
\* not requested on hoist  
Authorised in accordance with ATEX - directive 2014/34/EU with EC declaration of conformity

## Options

ATEX control switch  
2- or 4-buttons with emergency stop  
Various operating voltages  
Various control voltages  
Operating data counter  
Safety radio remote control for GP D (Dust)  
Second brake  
External limit switch  
Hook suspension  
Low headroom version GPK  
Frequency inverter GP FU  
Corrosion resistant version GPR

## Documentation

Instruction manual standard - electric chain hoist  
Annex special models GP D, GP G  
EC declaration of conformity



## Crane systems

GISKB steel crane construction kit for line-bound or all-round goods handling, GISKB aluminium crane system, slewing pillar and wall cranes for smooth handling of transport goods. Travelling cranes and slewing cranes made of steel profiles for heavier loads.

## Hoisting equipment

Over 50 years experience in the manufacture of electric chain hoists: robust, durable, reliable and highly resistant to wear. Simple maintenance. Various special versions for every application area. Wide range of accessories and options.

## Vacuum handling systems

GIS vacuum handling systems for the ergonomic and gentle handling of goods made of different materials like wood, glass, stone, metal or plastic. In combination with the appropriate crane system.

**GIS AG – the specialist for crane systems** Founding of the GIS AG in 1957 | With own subsidiary in Germany since 1966 | Development and production of electric chain hoists in Switzerland for over 50 years | Swiss manufacturer of complete crane systems inc. hoisting equipment and vacuum lifters | Certified to ISO 9001 since 1994 | Complete market services from project planning to installation, start-up and maintenance | International sales network with over 50 qualified partners worldwide

Swiss Lifting Solutions  
Certified to ISO 9001



[dlhonline.co.uk](http://dlhonline.co.uk)

0161 223





swiss lifting solutions

ATEX versions of the following GP and GCH are available - Electric Chain Hoist explosion-proof in ATEX Design Dust or gas-protected design

For zones 22 (Dust) and 2 (Gas)

Classification ISO (FEM) Type	M3 (1Bm) 150 s/h, 25 % duty	M4 (1Am) 180 s/h, 30 % duty	M5 (2m) 240 s/h, 40 % duty	M6 (3m) 300 s/h, 50 % duty	M7 (4m) 360 s/h, 60 % duty	M7 (4m) 360 s/h, 60 % duty	Speed 50 Hz (m/min)	Speed 60 Hz (m/min)
	Load capacity (kg)							
GP250/1N	400	320	250	200	160	125	8	9.6
GP250/1NF	400	320	250	200	160	125	8/2	9.6/2.4
GP250/1SF	-	160	125	100	-	-	16/4	19.2/4.8
GP250/2N	-	630	500	400	320	250	4	4.8
GP250/2NF	-	630	500	400	320	250	4/1	4.8/1.2
GP500/1N	800	630	500	400	320	250	8	9.6
GP500/1NF	800	630	500	400	320	250	8/2	9.6/2.4
GP500/1SF	-	320	250	200	160	125	16/4	19.2/4.8
GP500/2N	-	1250	1000	800	630	500	4	4.8
GP500/2NF	-	1250	1000	800	630	500	4/1	4.8/1.2
GP1000/1N	1600	1250	1000	800	630	500	8	9.6
GP1000/1NF	1600	1250	1000	800	630	500	8/2	9.6/2.4
GP1000/1SF	-	630	500	400	320	250	16/4	19.2/4.8
GP1000/2N	-	2500	2000	1600	1250	1000	4	4.8
GP1000/2NF	-	2500	2000	1600	1250	1000	4/1	4.8/1.2

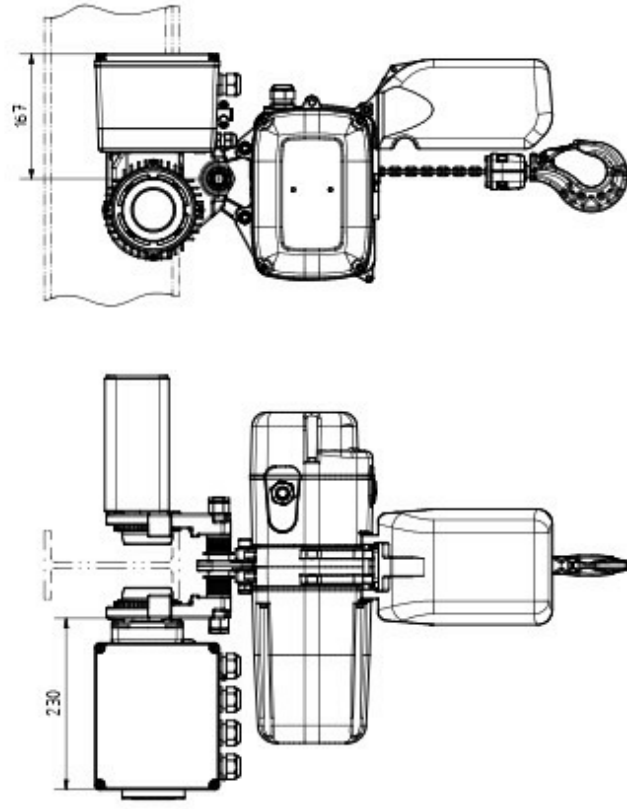
ISO (FEM) classification	M3 (1Bm) 150 s/h 25% duty	M4 (1Am) 180 s/h 30% duty	M5 (2m) 240 s/h 40% duty	M6 (3m) 300 s/h 50% duty	M7 (4m) 360 s/h 60% duty	Lifting speed	Motor power (M3)	3 x 400V 50Hz (M3)	No. of chain falls	Dead weight 3 m lift
Types	Capacity [kg]					[m/min]	[kW]	[A]		[kg]
GCH 1600/1 N	1'600	1'250	1'000	800	630	8	2.44	6.0	1	63
GCH 1600/1 NF	1'600	1'250	1'000	800	630	8/2	2.44/0.61	6.6/4.2	1	65
GCH 1600/1 SF	1'000	800	630	500	400	12.5/3	2.39/0.58	6.6/4.2	1	65
GCH 1600/2 N	3'200	2'500	2'000	1'600	1'250	4	2.44	6.0	2	73
GCH 1600/2 NF	3'200	2'500	2'000	1'600	1'250	4/1	2.44/0.61	6.6/4.2	2	75
GCH 1600/2 SF	2'000	1'600	1'250	1'000	800	6.25/1.5	2.39/0.58	6.6/4.2	2	75
GCH 2000/1 N	2'000	1'600	1'250	1'000	800	8	3.05	7.3	1	65
GCH 2000/1 NF	2'000	1'600	1'250	1'000	800	8/2	3.05/0.77	8.0/4.5	1	67
GCH 2000/1 SF	1'250	1'000	800	630	500	12.5/3	2.98/0.72	8.0/4.5	1	67
GCH 2000/2 N	4'000	3'200	2'500	2'000	1'600	4	3.05	7.3	2	76
GCH 2000/2 NF	4'000	3'200	2'500	2'000	1'600	4/1	3.05/0.77	8.0/4.5	2	78
GCH 2000/2 SF	2'500	2'000	1'600	1'250	1'000	6.25/1.5	2.98/0.72	8.0/4.5	2	78
GCH 2500/1 N	2'500	2'000	1'600	1'250	1'000	6.4	3.05	7.7	1	65
GCH 2500/1 NF	2'500	2'000	1'600	1'250	1'000	6.4/1.6	3.05/0.77	8.2/4.4	1	67
GCH 2500/1 SF	1'600	1'250	1'000	800	630	10/2.5	3.05/0.77	8.2/4.4	1	67
GCH 2500/2 N	5'000	4'000	3'200	2'500	2'000	3.2	3.05	7.7	2	76
GCH 2500/2 NF	5'000	4'000	3'200	2'500	2'000	3.2/0.8	3.05/0.77	8.2/4.4	2	78
GCH 2500/2 SF	3'200	2'500	2'000	1'600	1'250	5/1.25	3.05/0.77	8.2/4.4	2	78

dlhonline.co.uk

0161 223



ATEX-ZONE 22 (Staubschutz/Dust proofed)  
II 3D Ex tc IIIA T130°C Db

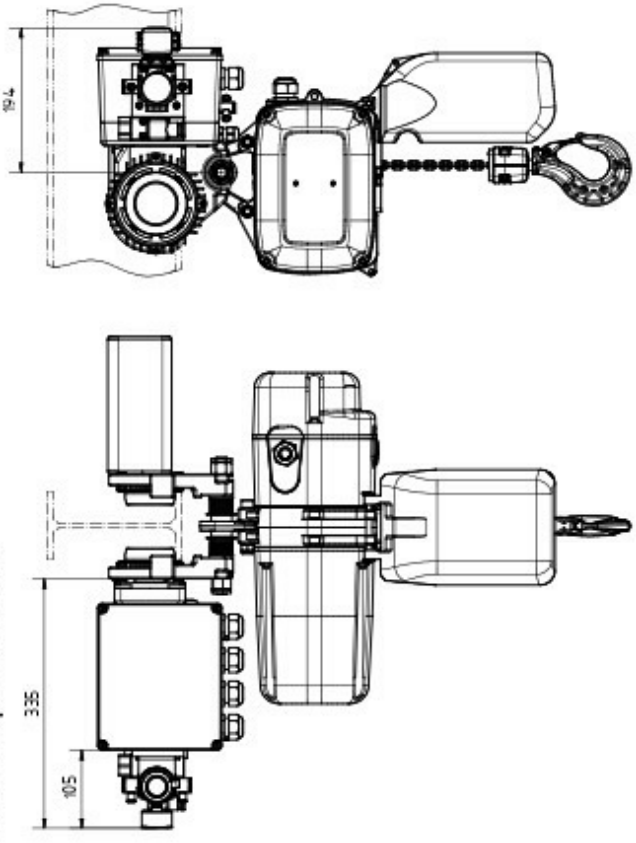


Gerätegruppe / Equipment group II  
Gerätekategorie / Equipment category 3  
Zone 22 (D)  
Temperaturklasse / Temperature class ≤=130°C

- IP65
- Temperaturüberwachung / Temperature monitoring
- Getriebschalter / Gear limit switch
- Kabelverschraubungen Ex / Cable connections Ex

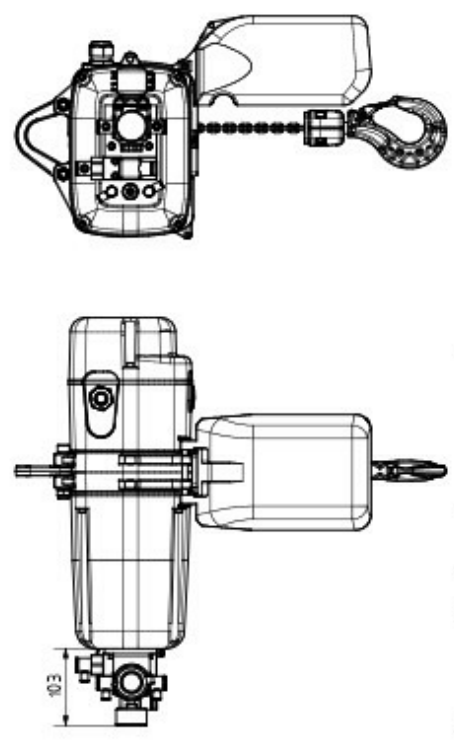
Masse gemäß Standardprodukten / Measurements according standard products

ATEX-Zone 2 / 22 (Gas-, staubgeschützt/ Gaz-, dust proofed)  
II 3D Ex tc IIIA T130°C Db  
II 3G Ex pz IIA T3 Gb



Gerätegruppe / Equipment group II  
Gerätekategorie / Equipment category 3  
Zone 2 (G) 22 (D)  
Temperaturklasse / Temperature class T3

- IP65
- Temperaturüberwachung/Temperature monitoring
- Getriebschalteren/Gear limit switch
- Kabelverschraubungen Ex / Cable connections Ex
- Drucküberwachung/Overpressure monitoring  
(Anschluss steckbar/Connection plugged e6mm)



Freigegeben		Typ		Modell-Nr.	
Rev.	Datum	Libr.	Rev.	Hersteller	Modell-Nr.
-	01.02.08	02.02.	1	Pressfab	15
					1 / 42
					9248.9285.5
					-



swiss lifting solutions