

Rack & Pinion jacks



Steel jacks acc. to DIN 7355 with fixed lifting claw model STW-F

Capacity 1500 - 10000 kg

Steel jacks are traditional hoisting equipment for universal application in the forest and agricultural sector, in the industrial sector for assembly activities and many other fields of application.

Features

- The robust steel design and a toothed rack of solid material increase the service life of the jack.
- Low wear owing to hardened gearing parts and precisely machined teething.
- The precisely machined gears with a high degree of efficiency guarantees low crank forces.
- The load is supported either on the claw or the head of the steel jack.
- Robust base plate for a high level of stability.
- No reduction of capacity on the claw.



Model STW-F
with fixed lifting claw
and Sifeku

Technical data model STW-F Siku

Model	EAN-No. 4025092* Siku	Capacity kg	Height A mm	Height of lift ¹ mm	Hand effort at WLL daN	Weight kg
STW-F 15	*994132	1500	720	350	28	12
STW-F 30	*440875	3000	720	350	28	21
STW-F 50	*996334	5000	720	300	28	26
STW-F 100	*562690	10000	792	300	40	42

¹ Height of lift = Height + Lift

Technical data model STW-F Raku

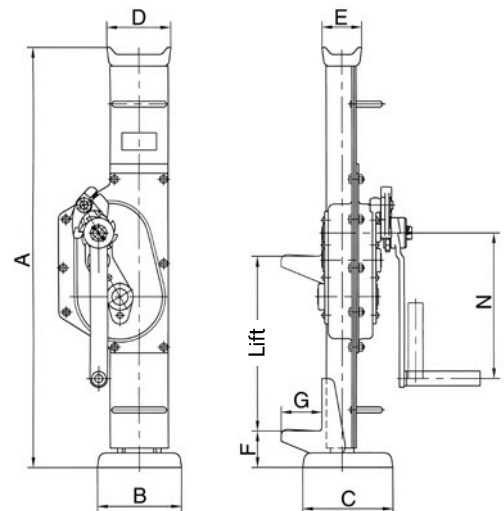
Model	EAN-No. 4025092* Raku	Capacity kg	Height A mm	Height of lift ¹ mm	Hand effort at WLL daN	Weight kg
STW-F 15	*563093	1500	720	350	28	12
STW-F 30	*563116	3000	720	350	28	21
STW-F 50	*563147	5000	720	300	28	26
STW-F 100	*563161	10000	792	300	28	42

¹ Height of lift = Height + Lift

Technical data model STW-F Sifeku

Model	EAN-No. 4025092* 4050939*** Sifeku	Capacity kg	Height A mm	Height of lift ¹ mm	Hand effort at WLL daN	Weight kg
STW-F 15	*563024	1500	720	350	28	12
STW-F 30	***055493	3000	720	350	28	21
STW-F 50	*562645	5000	720	300	28	26

¹ Height of lift = Height + Lift



Dimensions model STW-F

Model	STW-F 15	STW-F 30	STW-F 50	STW-F 100
A, mm	720	720	720	792
B, mm	130	130	145	145
C, mm	140	140	155	155
D, mm	90	90	110	125
E, mm	50	50	68	80
F, mm	60	61	62	85
G, mm	60	65	70	85
N, mm	250	250	250	300