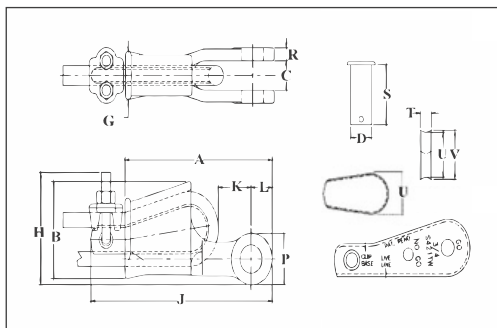




US-422T

Most sizes now incorporate the Crosby TERMINATOR design and may vary in shape from above product shown.

- Basket is cast steel and individually magnetic particle inspected.
- Wedge socket terminations have an efficiency rating of 80% based on the catalog strength of XXI wire rope.
- Wedges are color coded for easy identification
 - Blue - largest wire line size for socket.
 - Black - mid size wire line for socket.
 - 11mm on US4
 - 14mm on US5
 - Orange - smallest wire line size for socket.
- Cast into each socket is the name "McKissick", "Crosby" or "CG", its model number and its wire line range.
- By simply changing out the wedge, each socket can be utilized for various wire line sizes (Ensure correct wedge is used for wire rope size).
- Cast into each wedge is the model number of the socket and the wire line size for which the wedge is to be used.
- Load pin is forged and headed on one end.
- Incorporates Crosby's patented QUIC-CHECK® "Go" and "No-Go" feature cast into the wedge. The proper size rope is determined when the following criteria are met:
 - 1) The wire rope should pass thru the "Go" hole in the wedge.
 - 2) The wire rope should NOT pass thru the "No-Go" hole in the wedge.
- US-422T wedge sockets contain a hammer pad (lip) to assist in proper securement of termination.
- Meets or exceeds all requirements of ASME B30.26 including identification, ductility, design factor, proof load and temperature requirements. Importantly, these sockets meet other critical performance requirements including fatigue life, impact properties and material traceability, not addressed by ASME B30.26.
- UWO-422T Wedges are to be used only with the US-422T Wedge Socket Assemblies.
- Available with API-2C certification upon request



Scan this QR code with your smart device to view our Terminator video.



SEE APPLICATION AND WARNING INFORMATION
 Page 58
 Para Español: www.thecrosbygroup.com

US-422T UTILITY WEDGE SOCKETS

Model No.	Wire Rope Size		US-422T Stock No.	Weight Each (kg)	Wedge Only Stock No.	Weight Each (kg)	Dimensions (mm)														
	(mm)	(in)					A	B	C +/- 2.29	D	G	H	J	K	L	P	R	S	T	U	V
US4T	10	3/8	1044300	2.09	1047310	.27	173	90.2	25.4	25.4	41.4	71.4	214	35.1	26.9	49.3	12.7	64.3	11.2	48.5	54.4
US4T	11	7/16	1044309	2.09	1047301	.27	173	90.2	25.4	25.4	41.4	71.4	222	27.4	26.9	49.3	12.7	64.3	13.5	44.7	47.8
US4T	13	1/2	1044318	2.09	1047329	.27	173	90.2	25.4	25.4	41.4	71.4	222	25.9	26.9	49.3	12.7	64.3	13.5	44.7	47.8
US5T	13	1/2	1044327	3.86	1047338	.45	233	107	35.8	31.8	54.1	84.1	284	46.7	38.1	76.2	16.0	82.6	19.1	48.8	54.9
US5T	14	9/16	1044336	3.86	1047347	.45	233	107	35.8	31.8	54.1	84.1	291	61.0	38.1	76.2	16.0	82.6	17.5	50.8	55.4
US5T	16	5/8	1044345	3.86	1047356	.45	233	107	35.8	31.8	54.1	84.1	291	59.4	38.1	76.2	16.0	82.6	17.5	50.8	55.4
US6T	16	5/8	1044354	4.26	1047365	.64	240	119	38.1	31.8	56.9	92.2	303	63.0	38.1	76.2	14.2	82.6	22.4	60.5	69.9
US6T	19	3/4	1044363	4.26	1047374	.64	240	119	38.1	31.8	56.9	92.2	300	51.6	38.1	76.2	14.2	82.6	22.4	54.1	66.8
US8AT	16	5/8	1044372	9.0	1047383	1.9	269	144	46.0	41.4	60.5	140	335	48.5	38.9	73.2	19.1	105	17.5	82.8	88.9
US8AT	19	3/4	1044381	9.3	1047392	2.2	269	144	46.0	41.4	60.5	148	344	60.5	38.9	73.2	19.1	105	19.8	79.2	85.9
US8T	22	7/8	1044404	14.3	1047425	3.4	324	177	46.0	41.4	77.7	183	407	72.9	41.9	79.2	19.1	105	22.4	98.6	106
US8T	25	1	1044417	14.7	1047431	3.9	324	177	46.0	41.4	77.7	186	417	58.9	41.9	79.2	19.1	105	26.2	95.5	103
US10T	28	1-1/8	1044426	25.1	1047440	5.7	405	219	46.0	41.4	90.7	232	501	82.8	55.6	111	19.1	105	27.7	121	129
US10T	32	1-1/4	1044435	26.3	1047459	6.8	405	219	46.0	41.4	90.7	239	514	71.9	55.6	111	19.1	105	30.2	117	125
US11T	28	1-1/8	1044444	27.5	1047468	5.7	415	222	66.5	63.5	90.4	232	507	85.6	59.4	114	26.9	156	27.7	121	129
US11T	32	1-1/4	1044453	29.4	1047477	6.8	415	222	66.5	63.5	90.4	239	520	74.7	59.4	114	26.9	156	30.2	117	125