

DLHONLINE



Ratchet lever hoist with roller chain model C 85

Capacity 750 - 10000 kg

Ratchet lever hoist with link chain model D 85

Capacity 750 - 10000 kg

Almost unlimited applications in maintenance, mining, construction, steel fabrication, shipbuilding and utility work. Ideal for moving and positioning heavy machines and securing heavy loads, simplifies setting pipes etc. in manholes and trenches.

Features

- Enclosed housing with housing cover, handle and bottom block made from high tensile white malleable cast iron for overall rugged construction.
- The graphite cast iron load sheave for the link chain has precision machined chain pockets for accurate fit and durability of the load chain.
- The roller chain sprocket is made from heat treated chromium-molybdenum steel with precision machined teeth to ensure smooth chain movement.
- Alloyed steel link chain with zinc-plated resp. yellow chromated finish, in accordance with national and international standards and regulations.

Options

- All models can be equipped with an overload prevention device in the form of a slip clutch which is factory preset to approx. 25% ± 15% overload.
- Free chaining device to quickly attach the load or to pull the chain through the hoist in both directions.
- Hoist with sling chain.

Since 1936 more than 1 million units have been built in Velbert.



Option:
Overload protection for
D 95 and C/D 85.

Find out more about this product or get a quotation

This ratchet lever hoist is suitable for cargo tie down applications, since it has an automatic screw-and-disc type load brake preventing an unintentional loosening of the load.

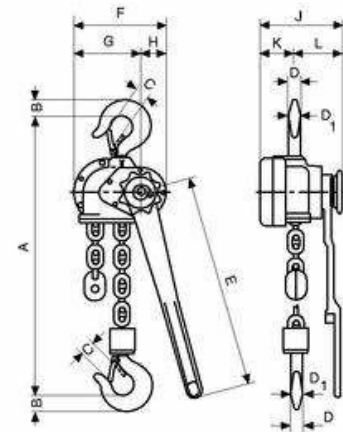
DLHONLINE

Technical data model C 85

Model	EAN-No. 4025092*	Capacity kg	Number of chain falls	Chain dimensions d x p Inch	Lift with one full lever turn mm	Handle pull at WLL daN	Weight at standard lift (1.5m) kg
PULLIFT C 85 750	*050173	750	1	5/8" x 3/8"	115	38	8.7
PULLIFT C 85 1500	*050180	1500	1	1" x 1/2"	45	31	17.0
PULLIFT C 85 3000	*050197	3000	1	1 1/4" x 5/8"	36	40	22.2
PULLIFT C 85 6000	*050203	6000	2	1 1/4" x 5/8"	18	44	38.0
PULLIFT C 85 10000	*050326	10000	3	1 1/4" x 5/8"	12	44	67.0

Dimensions model C 85

Model	PULLIFT C 85 750	PUL-LIFT C 85 1500	PUL-LIFT C 85 3000	PUL-LIFT C 85 6000	PUL-LIFT C 85 10000
A min., mm	322	389	403	560	785
B, mm	21	27	35	48	61
C, mm	27	30	34	46	54
D, mm	15	20	25	40	40
D1, mm	17	23	25	40	45
E, mm	443	443	570	570	570
F, mm	112	189	197	197	305
G, mm	56	134	142	142	163
H, mm	56	55	55	55	142
J, mm	142	171	179	218	218
K, mm	39	72	76	76	76
L, mm	103	99	103	142	142



Find out more about this product or get a quotation

Technical data model D 85

Model	EAN-No. 4025092*	Capacity kg	Number of chain falls	Chain dimensions d x p mm	Lift with one full lever turn mm	Handle pull at WLL daN	Weight at standard lift (1.5m) kg
PULLIFT D 85 750	*050548	750	1	6x18,5	111	38	8.2
PULLIFT D 85 1500	*050555	1500	1	9x27	45	31	16.3
PULLIFT D 85 3000	*050562	3000	1	11x31	33	40	19.6
PULLIFT D 85 6000	*050579	6000	2	11x31	17	42	32.9
PULLIFT D 85 10000	*050784	10000	3	11x31	11	37	60.0

Dimensions model D 85

Model	PULLIFT D 85 750	PUL-LIFT D 85 1500	PUL-LIFT D 85 3000	PUL-LIFT D 85 6000	PUL-LIFT D 85 10000
A min., mm	322	389	403	532	805
B, mm	21	27	35	48	61
C, mm	27	30	34	46	54
D, mm	15	20	25	40	40
D1, mm	17	23	25	40	45
E, mm	443	443	570	570	570
F, mm	112	189	197	197	305
G, mm	56	134	142	142	163
H, mm	56	55	55	55	142
J, mm	142	171	179	218	218
K, mm	39	72	76	76	76
L, mm	103	99	103	142	142

Yale hoists and trolleys are not designed for passenger elevation applications and must not be used for this purpose.