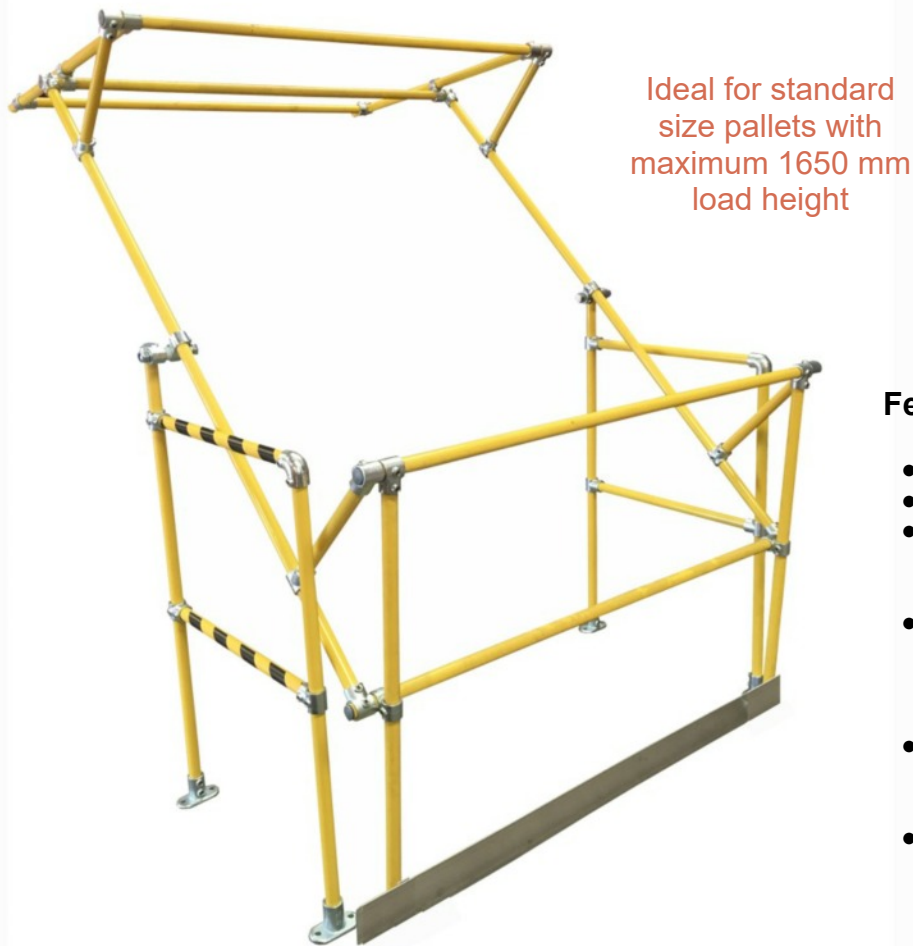


ATLAS Standard Economy MEZZANINE SAFETY GATE

Ensure continuous safety at the edge of a mezzanine.



Mezzanine and Raised Platform Barriers

To maximise on space, some large and small companies have added a mezzanine floor to their factory or warehouse and this has raised many safety issues.

Many Mezzanine floors or high level loading platforms have gaps in the handrail used for loading areas which have no safety barrier at all, or maybe just an edge swing gate, removable bars or chains. These are dangerous to operate or are routinely left open and are accidents waiting to happen!

The Atlas economy safety pallet gate is the answer. This double safety gate allows forklift access while separating personnel from the mezzanine platform edge whether open or closed.

Meets applicable BS EN ISO 1422-2-3:2016 standard and HSE (Health and Safety Executive) guidelines for pallet gate design

Features

- Two standard widths - built in the UK
- Exclusive mechanical construction
- Nylon pivot bushes ensure smooth operation and that both gates work in unison
- Aluminium kick plate (Toe board) prevents material from accidentally being pushed from an elevated space to a lower level
- Compact side frames allow good access to pallet with improved manoeuvrability for pallet removal
- Available in weather resistant all galvanised or with optional yellow thermoplastic coated tube for higher visibility.
- Free-standing -simple bolt to deck installation -Shipped with main sections pre-assembled for simple installation

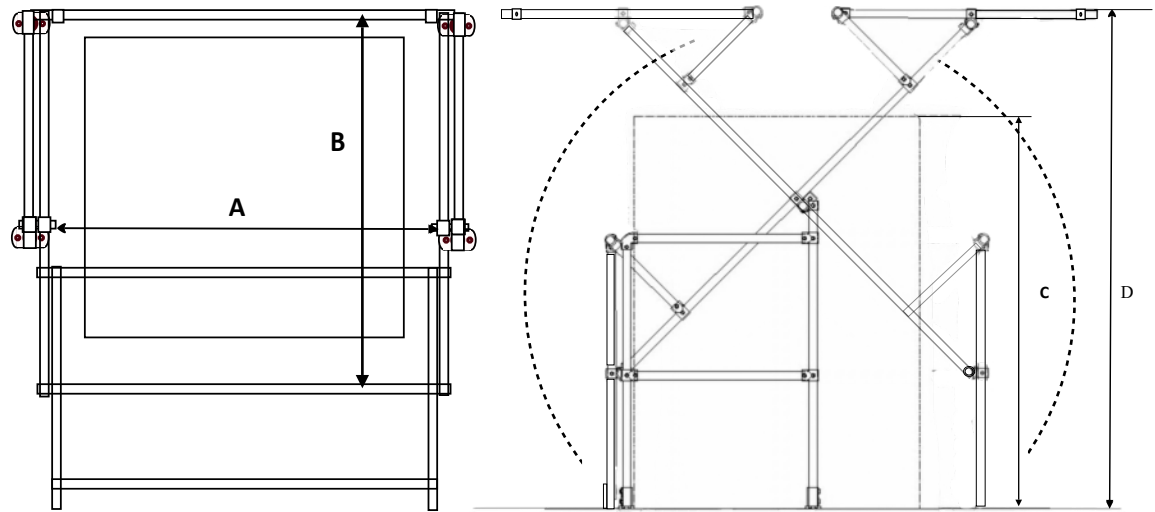
Benefits

- Protects all personnel by providing fall protection at all times on walking-working surfaces. This includes any surface higher than 500 mm above the ground level
- No-weld assembly of components eliminates the need for hot works permits and site shutdowns to deliver a safer, quicker set-up and installation with little or no damage to finish
- Modular flexibility - Modular system design adapts to on-site conditions with the flexibility to retrofit, replace broken sections or can be disassembled for repositioning when required

Customer Form for Quote Request

Complete, save and email to sales@dale-lifting.co.uk

Contact Name	
Company Name	
Contact Telephone No.	
Contact Email Address	
Invoice Address	
Telephone No.	
Shipping address if different	
Telephone No.	




SPECIFICATION - Atlas Standard mezzanine safety pallet gate

- Mechanical construction with all replaceable parts.
- Galvanised steel tubing to EN 10255. 33.7 mm diameter tube x 3.2 mm wall thickness. Galvanised to BS EN ISO 1461.
- Optional additional thermoplastic tube coating: Plas Coat PPA 571 ES. - RAL colour 1021 Alert safety yellow
- Kick plate 100 mm x 3 mm Aluminium grade 6063 T6.
- All tube clamps standard cast steel galvanised to BS EN ISO 1461.
- All clamps grub screws are stainless steel to ensure minimal maintenance.
- Nylon pivot bushes with M20 galvanised bolt sets
- Handrail height of ATLAS pallet gate is 1100 mm. Gap between top, knee rail and bottom guardrail 466 mm. Guardrail centre to centre 500 mm.
- Testing 300 N/m applied to the top rail and knee rail of the pallet edge gate in accordance with EN ISO 14122-3:2016. Deflection not exceeding 3% of handrail height.
- Installation, safe use and maintenance instructions provided.

Select dimensions required and enter reduced width dimensions if required	Select
Standard 1500 inside width A = 1500 mm O/all = 1750 mm	
Standard 1800 inside width A = 1800 mm O/all = 2050 mm	
Reduced inside width* A = mm O/all = A +250 mm	
Standard inside depth B = 1500 mm O/all = 1700 mm	
Standard load height C = 1650 mm O/all = 2150 mm D	
Select finish required and quantity pf gates required below	
All galvanised finish -	
Hi viz yellow gate tubes with galvanised clamps-	
Number of Atlas gates required -	
* Reduced standard width A is available. Adjustments to dimensions B and C are not provided for the Atlas pallet gate. See pallet gates-at-glance for custom dimensions available	
Standard 1500 A and Standard 1500 B are recommended clearance sizes for 1200 w x 1200 d mm or 1200 w x 1000 d mm pallets	
Dimensions are approximate only. Due to differences in the tube clamps and the assembly process, the actual dimensions may vary slightly. Any critical dimensions such as hole fixing centres should be determined when the product is actually on your site.	

Mezzbarriers product information herein is provided as a general reference only regarding the use of the applicable products. The specifications stated here maybe subject to change.
www.dhonline.co.uk/by-brand/mezzbarriers-safety-pallet-gates

Optional Extras



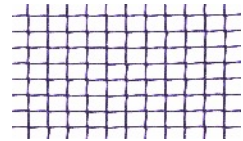
Enter No. of plates required

Floor plate in aluminium checker plate 1250 mm wide x 1150 mm deep with 100 mm fold to protect floor edge (Recommended for wood floors).



Enter No. of sleeves required

Easy fit PVC hazard warning tube Sleeves. Sold in one metre lengths. Can be cut to suit



Tick box to add net to quote

Nylon safety netting fitted to edge gate



Tick box to request telephone call to discuss

ISO Compliant mezzanine handrail

MEZZBARRIERS

Safety gates and handrail systems

Issue ASPG-0423

A division of DALE Lifting and Handling Specialists,
 2 Kelbrook Road Manchester M11 2QA
 Telephone 0161 223 1990
 Email sales@dale-lifting.co.uk
 Website www.dhonline.co.uk