

# Sigma Multi-Purpose MEZZANINE SAFETY GATE

Ensure continuous safety at the edge of a mezzanine.



*Model shown is a compact version in yellow tube finish*

## Mezzanine and Raised Platform Barriers

Many Mezzanine floors, upper level door openings or high level loading platforms have a gap used for loading which have no safety barrier at all, or maybe just an edge swing gate, removable bars or chains. These are dangerous to operate or are routinely left open and are accidents waiting to happen!

The Sigma's unique operation allow forklift or overhead hoist/crane access while separating personnel from the mezzanine platform edge whether open or closed.

It is available in many customised versions for standard, wide or deep pallets/loads.

Compact version can be unloaded by vacuum sack handling jib crane. Special version available for door openings including inward opening doors or roller shutters.

### Features

- Custom sizes - built in the UK
- Exclusive mechanical construction
- Unique mechanism ensures smooth operation and that both gates work in unison
- Aluminium kick plate (Toe board) prevents material from accidentally being pushed from an elevated space to a lower level
- Maintenance-free nylon pivot points
- Available in weather resistant all galvanised or with optional yellow thermoplastic coated tube for higher visibility.
- Free-standing -simple bolt to deck installation -Shipped with main sections pre-assembled for simple installation

### Benefits

- Protects all personnel by providing fall protection at all times on walking-working surfaces. This includes any surface higher than 500 mm above the ground level
- No-weld assembly of components eliminates the need for hot works permits and site shutdowns to deliver a safer, quicker set-up and installation with little or no damage to finish
- Modular flexibility - Modular system design adapts to on-site conditions with the flexibility to retrofit, replace broken sections or can be disassembled for repositioning when required

# Customer Form for Quote Request

Complete, save and email to sales@dale-lifting.co.uk

Contact Name \_\_\_\_\_

Company Name \_\_\_\_\_

Contact Telephone No. \_\_\_\_\_

Contact Email Address \_\_\_\_\_

Invoice Address \_\_\_\_\_

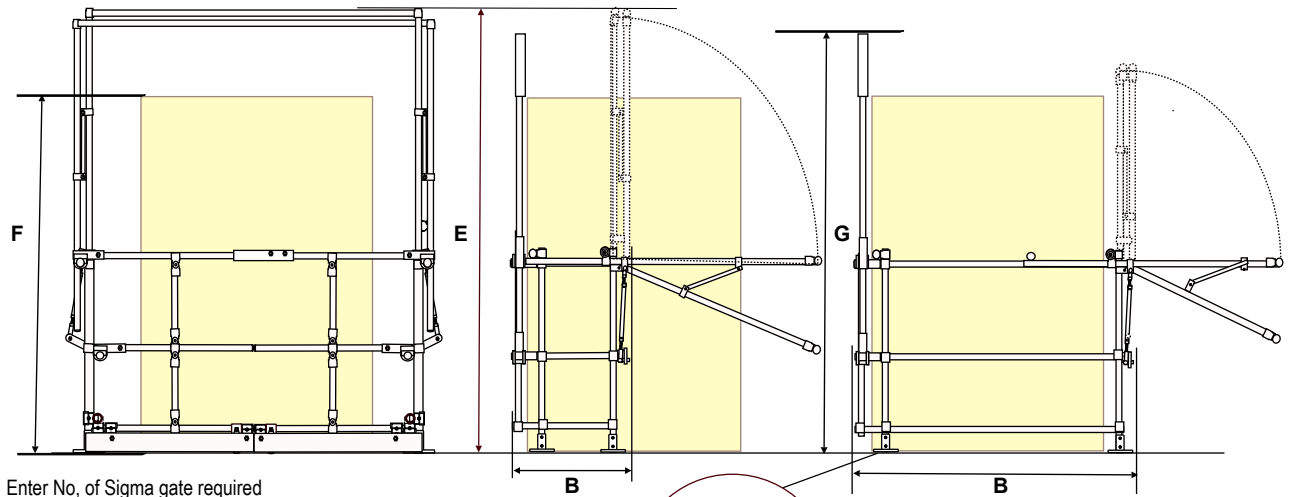
Telephone No. \_\_\_\_\_

Shipping address if different \_\_\_\_\_

Telephone No. \_\_\_\_\_

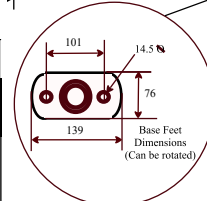
Add any notes on special application or location

Please add photos or a sketch showing the application in PDF format



Enter No. of Sigma gate required

A	B	C	D	E	F	G
Inside width	Depth shut	Depth open	Overall width	Overall height inner gate	Load height	Edge gate height open
Custom up to 3000 mm	Custom min. 500 mm up to 4000 mm	B + E - minus 1270 mm	A + 800 mm	Custom up to max 2400 mm	Max. Under inner gate 2250 mm	Increases relative to A



Requires 8 x M12 bolts/anchors  
Not supplied

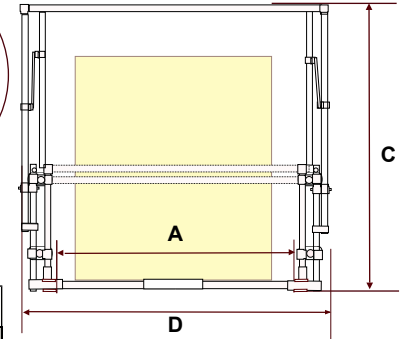


Table dimensions are approximate only. Due to differences in the tube clamps and the assembly process, the actual dimensions may vary slightly. Any critical dimensions such as hole fixing centres should be determined when the product is actually on your site. We will confirm all dimensions with an approval layout with your quotation.

Enter maximum pallet/load size below - Refer to dimensions in above table			Gate finish required	
Maximum pallet/load width =	mm	We recommend 300 mm clearance within A	All galvanised	
Maximum pallet/load depth =	mm	Minimum depth shut B will vary relative to E and F	Yellow tube	
Maximum pallet/load height =	mm	Maximum 2250 mm with 150 mm clearance under E	<b>Notes on B depth shut for vacuum crane unloading</b>	
Existing or max. Gap = available	mm	Refer to Inside width A + D for minimum gap width	Compact depth options 500 to 600 mm with adapted fold over inner gate will allow unloading of sacks etc. from the pallet with a vacuum jib crane for bag/sack emptying on mixing platforms. (Subject to F) Request this option	
Working depth available =	mm	Refer to C dimension		
Headroom available =	mm	Height of edge gate G will vary relative to A (Ask us).		

For roller shutter or inward opening door applications see questionnaire - [Click here](#)  
For use with overhead beam applications see questionnaire - [Click here](#)

Mezzbarriers product information herein is provided as a general reference only regarding the use of the applicable products. The specifications stated here maybe subject to change.  
[www.dhonline.co.uk/by-brand/mezzbarriers-safety-pallet-gates](http://www.dhonline.co.uk/by-brand/mezzbarriers-safety-pallet-gates)

A division of DALE Lifting and Handling Specialists,  
2 Kelbrook Road Manchester M11 2QA  
Telephone 0161 223 1990  
Email sales@dale-lifting.co.uk  
Website www.dhonline.co.uk

## SPECIFICATION - Sigma multi-purpose mezzanine safety pallet gate

- Mechanical construction with all replaceable parts.
- Galvanised steel tubing to EN 10255. 33.7 mm diameter tube x 3.2 mm wall thickness. Galvanised to BS EN ISO 1461. Optional additional thermoplastic tube coating: Plas Coat PPA 571 ES. - RAL colour 1021 Alert safety yellow
- Kick plate 100 mm x 3 mm Aluminium grade 6063 T6.
- All tube clamps standard cast steel galvanised to BS EN ISO 1451
- All clamps grub screws are stainless steel to ensure minimal Maintenance.
- Mechanism components zinc sprayed with galvanised bolts
- Maintenance-free nylon pivot bushes with M20 galvanised bolts and nylock nuts
- Handrail height of Sigma pallet gate is 1100 mm. Gap between top, knee rail and bottom guardrail 466 mm. Guardrail centre to centre 500 mm. Testing 300 N/m applied to the top rail, over lock and knee rail of the pallet edge gate in accordance with EN ISO 14122-3:2016. Deflection not exceeding 3% of handrail height.
- Installation, safe use and maintenance instructions provided.

**MEZZBARRIERS**  
Safety gates and handrail systems

Issue SPG-0523

### Optional Extras

Enter No. of plates required

Floor plate in aluminium checker plate 1250 mm wide x 1150 mm deep with 100 mm fold to protect floor edge (Recommended for wood floors).

Enter No. of sleeves required

Easy fit PVC hazard warning tube Sleeves. Sold in one metre lengths. Can be cut to suit

Tick box to request telephone call to discuss

ISO Compliant mezzanine handrail