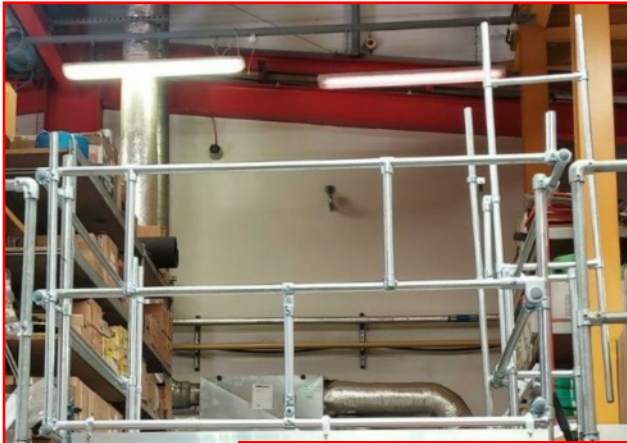
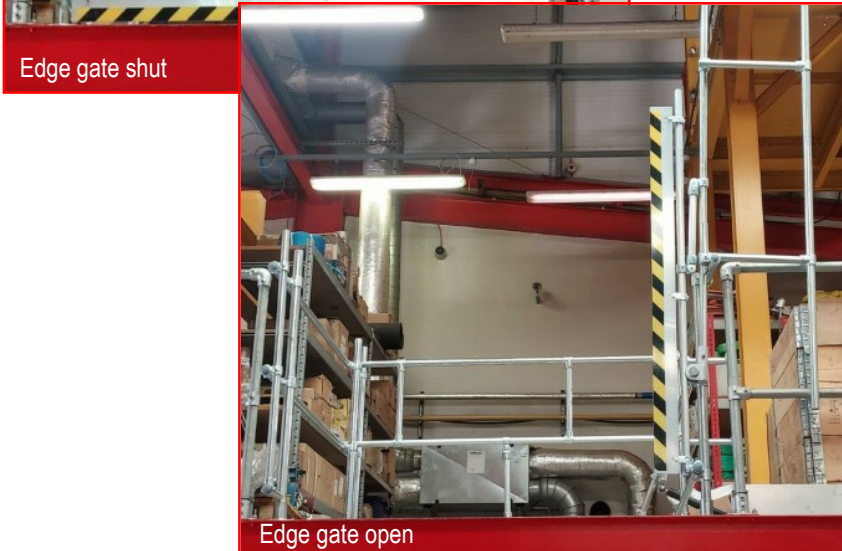


Hi-Gate Low Headroom Multi-Purpose MEZZANINE SAFETY GATE

Ensure continuous safety at the edge of a mezzanine.



Open top allows for unlimited load height and can be loaded by forklift or overhead hoist



Model shown is a low headroom Hi-Gate model in galvanised finish with an asymmetric top half edge gate which opens in front of an adjacent handrail
(Also available in safety yellow thermoplastic coated tube)

Mezzanine and Raised Platform Barriers

Many Mezzanine floors or high level loading platforms have gaps in the handrail used for loading areas which have no safety barrier at all, or maybe just an edge swing gate, removable bars or chains. These are dangerous to operate or are routinely left open and are accidents waiting to happen!

The Hi-Gate's unique operation allow forklift or overhead hoist access while separating personnel from the mezzanine platform edge whether open or closed.

It is now available in a low headroom version where the height of the opening gate needs to clear lower ceilings or runway beams

Meets applicable BS EN ISO 1422-2-3:2016 standard and HSE (Health and Safety Executive) guidelines for pallet gate design

Features

- Custom sizes - built in the UK
Exclusive mechanical construction and all parts are replaceable
- Unique mechanism ensures smooth operation and that both gates work in unison
- Aluminium kick plate (Toe board) prevents material from accidentally being pushed from an elevated space to a lower level
- Anti-slam damper for operator safety
- Available in weather resistant all galvanised or with optional yellow thermoplastic coated tube for higher visibility.
- Free-standing - simple bolt to deck
Installation - shipped with main sections pre-assembled for simple installation

Benefits

- Protects all personnel by providing fall protection at all times on walking-working surfaces. This includes any surface higher than 500 mm above the ground level
- No-weld assembly of components eliminates the need for hot works permits and site shutdowns to deliver a safer, quicker set-up and installation with little or no damage to finish
- Modular flexibility - Modular system design adapts to on-site conditions with the flexibility to retrofit, replace broken sections or can be disassembled for repositioning when required

Customer Form for Quote Request

Complete, save and email to sales@dale-lifting.co.uk

Contact Name

Company Name

Contact Telephone No.

Contact Email Address

Invoice Address

Telephone No.

Shipping address if different

Telephone No.

Notes

Please add photos or a sketch showing the application in PDF format

SPECIFICATION - Hi-Gate low headroom multi-purpose mezzanine safety pallet gate

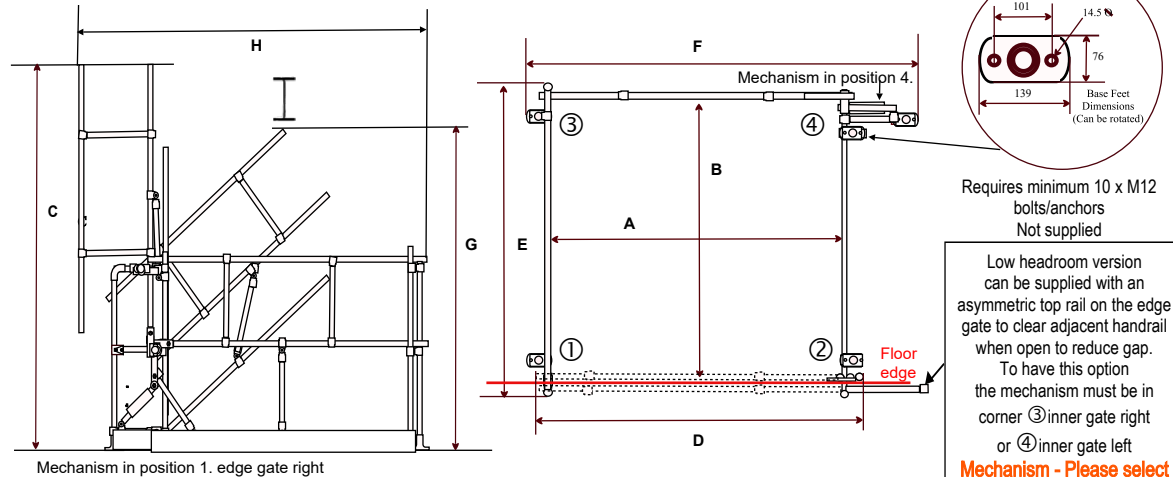
- Mechanical construction with all replaceable parts.
- Galvanised steel tubing to EN 10255. 33.7 mm diameter tube x 3.2 mm wall thickness. Galvanised to BS EN ISO 1461.
- Optional additional thermoplastic tube coating: Plas Coat PPA 571 ES. - RAL colour 1021 Alert safety yellow
- Kick plate 100 mm x 3 mm Aluminium grade 6063 T6.
- All tube clamps standard cast steel galvanised to BS EN ISO 1461.
- All clamps grub screws are stainless steel to ensure minimal Maintenance.
- Mechanism components zinc sprayed with galvanised bolts
- Anti-slam damper painted finish
- Handrail height of Hi-Gate pallet gate is 1100 mm. Gap between top, knee rail and bottom guardrail 466 mm. Guardrail centre to centre 500 mm.
- Testing 300 N/m applied to the top rail and knee rail of the pallet edge gate in accordance with EN ISO 14122-3:2016. Deflection not exceeding 3% of handrail height.

MEZZBARRIERS

Safety gates and handrail systems

Issue HGLHPG-0623

Low Headroom Hi-Gate Open Top Multi-Purpose Safety Pallet Gate



A	B	C	D	E	F	G	H
inside width custom up to a maximum 2000 mm	inside depth custom up to a maximum 4000 mm	Height open gate A + 850 mm e.g. 1500 mm inside width C = 2350 mm	Minimum Edge Gap = A + 450 mm	Overall depth B + 380 mm	Overall width inc. Mechanism = A + 700 mm	Runway beam height A + 750 mm	= A + 850 mm

Dimensions are approximate only. Due to differences in the tube clamps and the assembly process, the actual dimensions may vary slightly. Any critical dimensions such as hole fixing centres should be determined when the product is actually on your site.

Low headroom version can be supplied with an asymmetric top rail on the edge gate to clear adjacent handrail when open to reduce gap. To have this option the mechanism must be in corner ③ inner gate right or ④ inner gate left
Mechanism - Please select position required

Asymmetric edge gate required
 Tick box

Select finish required

- Enter inside width A and inside depth B required - See maximum A and B in table above

Inside width required*	A =	mm	Gap D = A + 450 mm
Inside depth required*	B =	mm	O/all F = B + 380 mm
Load height unlimited - Important note see dimension C in table above			
Enter number of Hi-Gates required**			

Important notes

- * We recommend A and B dimension are 1500 mm for clearance sizes for 1200 w x 1200 d mm or 1200 w x 1000 d mm pallets
- ** For gates of different sizes please complete a separate form for each size

Mezzbarriers product information herein is provided as a general reference only regarding the use of the applicable products. The specifications stated here maybe subject to change.
www.dhonline.co.uk/by-brand/mezzbarriers-safety-pallet-gates

A division of DALE Lifting and Handling Specialists,
 2 Kelbrook Road Manchester M11 2QA
 Telephone 0161 223 1990
 Email sales@dale-lifting.co.uk
 Website www.dhonline.co.uk

Optional Extras

Enter No. of plates required

Floor plate in aluminium checker plate 1250 mm wide x 1150 mm deep with 100 mm fold to protect floor edge (Recommended for wood floors).

Enter No. of sleeves required

Easy fit PVC hazard warning tube Sleeves. Sold in one metre lengths. Can be cut to suit

Tick box to request telephone call to discuss

ISO Compliant mezzanine handrail