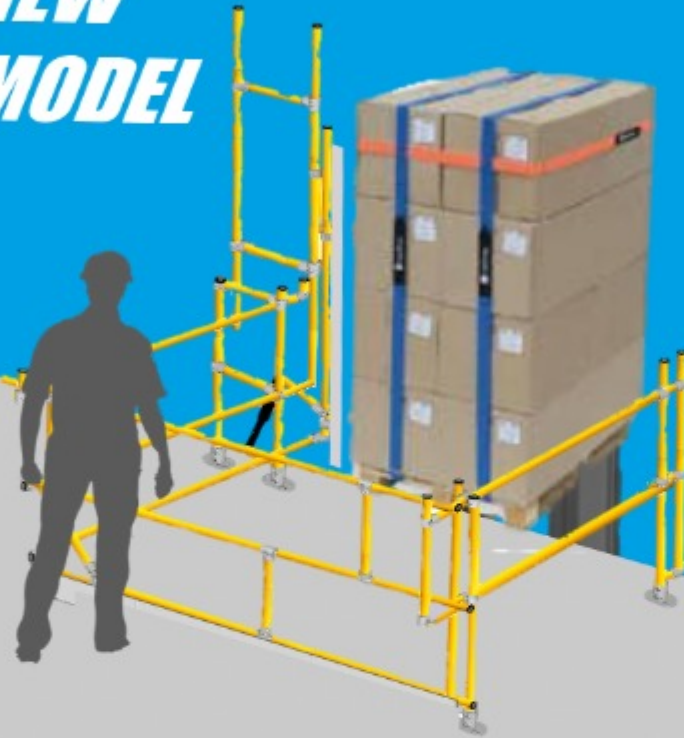


MEZZBARRIERS

***NEW
MODEL***

**Hi-Gate Low Headroom
Completely Open Top
Multi-Purpose Safety
Pallet Gate**



Conformance with ISO 14122-3:2016

Introducing the all-new MEZZBARRIERS OPEN TOP LOW HEADROOM/HIGH LOAD 'HI-GATE' MULTI-PURPOSE SAFETY PALLET GATE

After extensive development and testing, the Mezzbarriers team are pleased to announce this exciting new concept in safety pallet gate design. Based on our proven standard Hi-Gate model, we have significantly reduced the headroom required for this innovative dual-gate system while retaining its unique fool-proof operation.

The new Hi-Gate advantages over ordinary up-and-over pallet gates are:

- The open top accepts unlimited load height and allows loading by either forklift or overhead hoist.
- Lower headroom – Can operate below standard room height at 2.35 metres for 1.5 metres inside gate width, and the open top gives significantly more clearance for tall pallets, especially where headroom is reduced.
- It does not protrude over the floor edge, whether open or shut, reducing the chance of collision with a rising load.
- Minimal working depth – The opening gate scissors up to one side (Left or right-handed operation to suit location) – It takes up less operational floor depth.
- An anti-slam damper within the bi-directional gates linking mechanism prevents gates from inadvertently plummeting, preventing operator injury.
- Option for an asymmetric edge gate which reduces the gap width required. The fixed top half projects out beyond the floor edge to allow clearance of the adjacent handrail – It also allows the edge gate to be positioned nearer to the floor edge for optimum forklift loading.
- Option for custom inside width up to 2.0 metres - Ideal for bulkier pallets or wider load baskets.
- Option for increased inside depth (Up to 4 metres) for handling longer loads by hoist. Loads can remain suspended through the loading sequence and continue beyond the inner gate if required.
- Longer working life – Mechanical construction allows replacing damaged or worn parts.
- Full compliance with ISO 14122-3:2016 testing and safety requirements - It protects all personnel from moving loads and falling from unprotected edges during loading operations and at all other times too.

[Click here](#) to find out more and request your no-obligation quotation.

Want to see it in action? Arrange a demonstration at our Manchester works – Call 0161 223 1990 today.

Customer Form for Quote Request

Complete, save and email to sales@dale-lifting.co.uk

Contact Name _____

Company Name _____

Contact Telephone No. _____

Contact Email Address _____

Invoice Address _____

Telephone No. _____

Shipping address if different _____

Telephone No. _____

Notes

Please add photos or a sketch showing the application in PDF format

SPECIFICATION - Hi-Gate low headroom multi-purpose mezzanine safety pallet gate

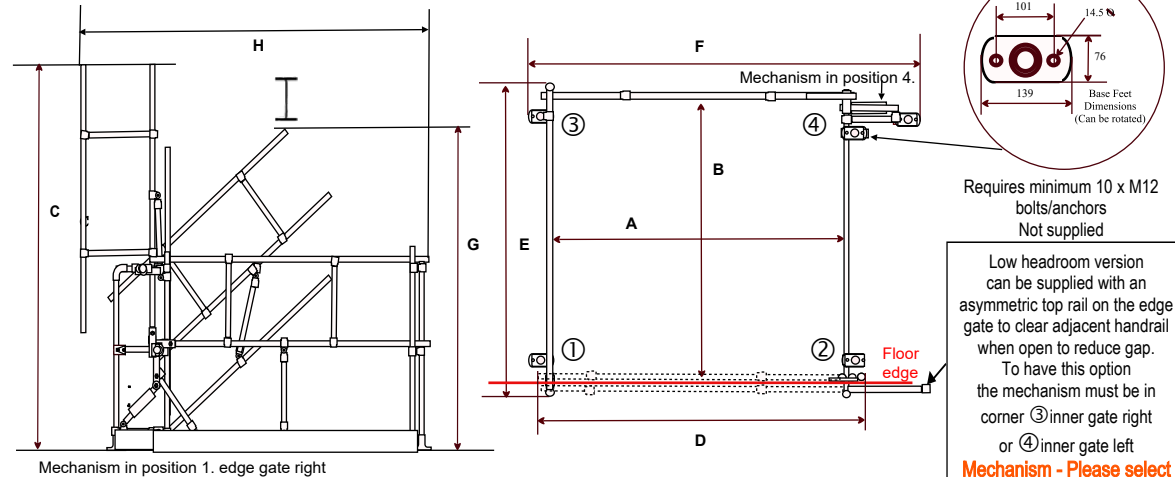
- Mechanical construction with all replaceable parts.
- Galvanised steel tubing to EN 10255. 33.7 mm diameter tube x 3.2 mm wall thickness. Galvanised to BS EN ISO 1461.
- Optional additional thermoplastic tube coating: Plas Coat PPA 571 ES. - RAL colour 1021 Alert safety yellow
- Kick plate 100 mm x 3 mm Aluminium grade 6063 T6.
- All tube clamps standard cast steel galvanised to BS EN ISO 1461.
- All clamps grub screws are stainless steel to ensure minimal Maintenance.
- Mechanism components zinc sprayed with galvanised bolts
- Anti-slam damper painted finish
- Handrail height of Hi-Gate pallet gate is 1100 mm. Gap between top, knee rail and bottom guardrail 466 mm. Guardrail centre to centre 500 mm.
- Testing 300 N/m applied to the top rail and knee rail of the pallet edge gate in accordance with EN ISO 14122-3:2016. Deflection not exceeding 3% of handrail height.

MEZZBARRIERS

Safety gates and handrail systems

Issue HGLHPG-0623

Low Headroom Hi-Gate Open Top Multi-Purpose Safety Pallet Gate



A	B	C	D	E	F	G	H
inside width custom up to a maximum 2000 mm	inside depth custom up to a maximum 4000 mm	Height open gate to a maximum inside width A + 850 mm e.g. 1500 mm C = 2350 mm	Minimum Edge Gap = A + 450 mm	Overall depth B + 380 mm	Overall width inc. Mechanism = A + 700 mm	Runway beam height A + 750 mm	= A + 850 mm

Dimensions are approximate only. Due to differences in the tube clamps and the assembly process, the actual dimensions may vary slightly. Any critical dimensions such as hole fixing centres should be determined when the product is actually on your site. Safe use and installation instructions are provided,

Low headroom version can be supplied with an asymmetric top rail on the edge gate to clear adjacent handrail when open to reduce gap. To have this option the mechanism must be in corner ③ inner gate right or ④ inner gate left
Mechanism - Please select position required

Asymmetric edge gate required

Tick box

Select finish required

- **Enter inside width A and inside depth B required - See maximum A and B in table above**

Inside width required*	A =	mm	Gap D = A + 450 mm
Inside depth required*	B =	mm	O/all F = B + 380 mm
Load height unlimited - Important note see dimension C in table above			
Enter number of Hi-Gates required**			

Important notes

* We recommend A and B dimension are 1500 mm for clearance sizes for 1200 w x 1200 d mm or 1200 w x 1000 d mm pallets


** For gates of different sizes please complete a separate form for each size

Mezzbarriers product information herein is provided as a general reference only regarding the use of the applicable products. The specifications stated here maybe subject to change.

www.dhonline.co.uk/by-brand/mezzbarriers-safety-pallet-gates

A division of DALE Lifting and Handling Specialists,
2 Kelbrook Road Manchester M11 2QA
Telephone 0161 223 1990
Email sales@dale-lifting.co.uk
Website www.dhonline.co.uk

Optional Extras



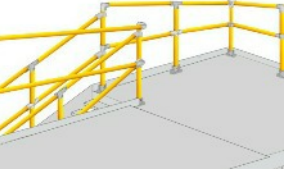
Enter No. of plates required

Floor plate in aluminium checker plate 1250 mm wide x 1150 mm deep with 100 mm fold to protect floor edge (Recommended for wood floors).



Enter No. of sleeves required

Easy fit PVC hazard warning tube Sleeves. Sold in one metre lengths. Can be cut to suit



Tick box to request telephone call to discuss

ISO Compliant mezzanine handrail