

dlhonline.co.uk 0161 223 1990

Spur gear hand winches

Description of the winch **300 kg and 600 kg**

This convenient spur gear winch excels by its speed. It is equipped with a load-pressure brake with a double ratchet system and a semi-closed

Product specifications

- robust and safe lifting and pulling winch in compliance with EN13157
- static safety factor 4:1
- direct transmission for high speed
- maintenance free bearings
- load pressure brake with double ratchet system for safe stable hold of the load in any position
- cable outlet upwards
- adjustable crank, with ergonomic grip
- suitable for wall mounting
- simple and quick attachment paint thickness is 60 - 80 micron in 1 layer and in compliance with DIN/ISO 12944, C1M - RAL 7035 (grey)
- corrosion resistant

Options (code)

- zinc-plated finish 6 - 8 micron (EV)
- 2 layers of paint according to C3M (2L)
- ATEX certified zone 2 and 22 (EX)
- CE II 3G Ex IIC T4 Gc, -20°C < T amb < +70°C

Accessories

- steel or stainless steel wire rope
- pulley block

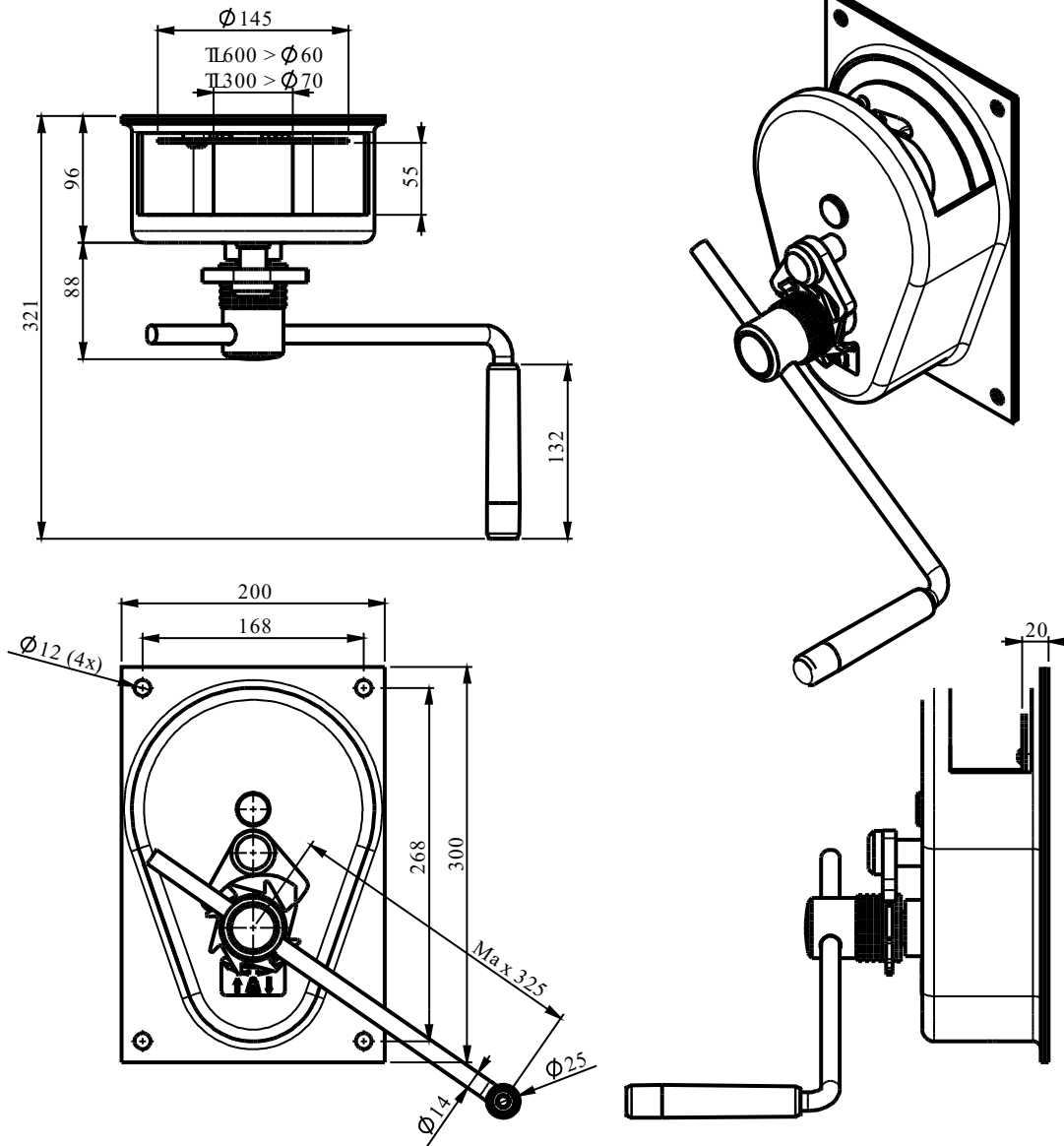


CE Ex  Product & instruction video on YouTube

GEBUWIN
quality winches

A division of DALE Lifting and Handling Specialists,
2 Kelbrook Road Manchester M11 2QA
Telephone 0161 223 1990 Email sales@dale-lifting.co.uk Website www.dlhonline.co.uk

Technical specifications TL300 - TL600



For more information, visit: dlhonline.co.uk

Technical specifications	Unit	TL300	TL600
Capacity 1st layer	kg	300	600
Capacity 4th layer	kg	234	408
Capacity top layer	kg	172	336
Rope diameter-Ø	mm	4	6
Rope storage 1st layer	m	2,3	1
Rope storage 4th layer	m	12,5	7
Rope storage top layer	m	35,4	12,3
Lift per crank rotation	mm	32	28
Crank effort at full load	daN	5,5	10
Weight (without rope)	kg	10	11
Article number	no.	77121000	77131000

NEED A QUOTE?

If you would like a quote, please fill out this e-form request.~ Complete, save and email to sales@dale-lifting.co.uk

Name	
Company	
Address	
Telephone No.	
Email address	
Delivery address if different	
Notes	



77121000 300 kg TL300 Hand winch	
Winch finish required	Quantity
GR = grey paint thickness RAL 7035, 60 - 80 micron in 1 layer	
EV = Electro zinc-plated finish 6 - 8 micron	
2L = 2 layers of paint according to C3M (2L)	



CE II 3G IIC T4 Ga T amb <70 °C
suitable for zone 2 and 22
CE II 3D IIIC T135°C Da T amb <70 °C
suitable for zone 2 and 22

7712100 TL300 EX	
Tick box	
<input type="checkbox"/>	

77131000 600 kg TL600 Hand winch	
Winch finish required	Quantity
GR = grey paint thickness RAL 7035, 60 - 80 micron in 1 layer	
EV = Electro zinc-plated finish 6 - 8 micron	
2L = 2 layers of paint according to C3M (2L)	



CE II 3G IIC T4 Ga T amb <70 °C
suitable for zone 2 and 22
CE II 3D IIIC T135°C Da T amb <70 °C
suitable for zone 2 and 22

77131000 TL600 EX	
Tick box	
<input type="checkbox"/>	



TL300 4 mm dia Winch rope		
Construction and end fitting	Enter Length required	Enter quantity required
19x7 Galvanised with thimble eye & hook		
19x7 Galvanised with thimble eye		
7x19 Stainless steel with thimble eye & hook		
7x19 Stainless steel with thimble eye		



TL600 6 mm dia Winch rope		
Construction and end fitting	Enter Length required	Enter quantity required
19x7 Galvanised with thimble eye & hook		
19x7 Galvanised with thimble eye		
7x19 Stainless steel with thimble eye & hook		
7x19 Stainless steel with thimble eye		



77001750 KB300 - 300 kg Pulley block
Enter quantity required.



77001700 KB600 - 600 kg Pulley block
Enter quantity required.

Pulley blocks are cast iron with bearings. Used to guide rope or change direction to the location of the load. You may need to add rope length for the distance between the winch and pulley(s) to the load lifting distance if above winch drum storage capacity