

BUX[®] Permanent Lifting Magnets

Intended Use:

The BUX[™] NEO range is ideal for lifting and transportation of loads up to 2000kgs
 The NEO range of magnets are manually actuated for individual use.

Features:

- The only magnet on the market to safely lift thin plate
- Powerful Neodymium magnets ensure a maximum lifting capacity on uneven and rough contact surfaces
- Suitable for flat or round material
- Lock plate design for on/off position
- Extremely compact, robust and low maintenance
- Increased airgap capability
- Single handed switching operation and light weight design
- UK agents for yearly LOLER compliant testing, service, spares and repair.
- UK Operator training also available

Applications:

Loading and unloading machine tools
 Handling of bars and profiles in warehouse
 Handling of plates, blocks, bars, pipes and profiles in the workshop.



Model		NEO 150	NEO 300	NEO 600	NEO 1000	NEO 1500	NEO 2000
Nominal lifting capacity							
- Flat material	kg	150	300	600	1000	1500	2000
- Round material	kg	65	150	300	500	750	1000
Minimum thickness	mm	2	4	6	10	15	15
Round material Diameter \varnothing min / max	mm	40 - 100	60 - 200	65 - 270	100 - 300	150 - 350	150 - 350
Length x width	mm	93 x 60	152 x 100	246 x 120	306 x 146	410 x 165	480 x 165
\varnothing Lifting Eye	mm	10	16	20	20	20	20
Weight	kg	3	10	21	40	66	90

BUX NEO Lifting

	Material thickness (mm)	Surface Condition									
		Clean and smooth ground surface Air gap <0.1mm			Rusty and hot rolled surface Air gap 0.1 – 0.3mm			Irregular and rough surface Air gap 0.3 – 0.5mm		Very rough surface Air gap	
		Max Dimensions LxW (mm)	WLL (kg) for plate sizes as below		Max Dimensions (mm)	WLL (kg) for plate sizes as below		Max Dimensions (mm)	WLL (kg) for plate sizes as below		
			L>200 W>200	L>60 W>100		L>200 W>200	L>60 W>100		L>200 W>200	L>60 W>100	
NEO 150	≥25	-									
	15	2000x500	150	120	-	85	70	-	60	55	
	10	2500x500	130	110	1100x500	70	60	900x500	55	45	
	4	2500x500	120	75	1500x500	65	50	1200x500	50	40	
	2	1500x500	50	25	2300x500	40	17	1700x500	30	15	
	Ø50-Ø100	L max 2500	65		L max 2000	50		L max 1500	35		
NEO 300	≥30	-									
	15	2000x1000	300	250	-	190	180	-	115	100	
	10	2500x1000	245	160	1400x1000	160	120	1000x1000	105	85	
	6	2200x1000	200	95	1500x1000	130	65	1200x1000	95	55	
	4	1800x1000	100	35	1800x1000	90	30	1500x1000	70	25	
	Ø60- Ø200	L max 3500	150		L max 3000	120		L max 2500	75		
NEO 600	≥40	-									
	20	2000x1500	600	520	-	430	400	-	270	260	
	15	2250x1500	465	380	2000x1250	390	310	1600x1000	250	210	
	10	2500x1500	430	240	2300x1250	340	200	1800x1000	220	160	
	8	2400x1500	285	120	2400x1250	240	100	2200x1000	185	85	
	Ø65- Ø270	L max 4000	300		L max 3500	240		L max 3000	160		
NEO 1000	≥60	-									
	30	2450x1500	1000	985	-	845	835	-	650	645	
	25	2850x1500	860	710	2000x1500	730	620	1900x1250	565	515	
	20	3200x1500	830	535	2400x1500	705	475	2250x1250	550	410	
	15	3300x1500	745	365	2750x1500	640	320	2600x1250	510	290	
	Ø100- Ø300	L max 4500	500		L max 4000	400		L max 3500	300		
NEO 1500	≥80	-									
	50	3000x1200	1500	1460	-	1420	1200	-	1020	980	
	30	3500x1200	1460	1250	2500x1200	1200	1050	2000x1200	960	900	
	20	3500x1400	980	430	3250x1200	900	390	2500x1300	780	350	
	15	3000x1500	760	310	3000x1600	750	290	2500x1750	695	270	
	Ø150- Ø350	L max 5000	750		L max 4500	700		L max 4000	600		
NEO 2000	≥80	-									
	50	3250x1500	2000	1950	-	1650	1600	-	1300	1250	
	30	3500x1500	1950	1600	2500x1500	1600	1350	2000x1500	1250	1150	
	20	3500x2000	1350	550	3250x1500	1150	500	2500x1500	1000	450	
	15	3000x1500	1100	400	3000x1500	1000	375	2500x1500	900	350	
	Ø150- Ø350	L max 5000	1000		L max 4500	900		L max 4000	800		

Contact Us

HV Lifting Arm System

Intended Use:

HV Lifting System is designed to help you to expand your lifting capabilities.

Features:

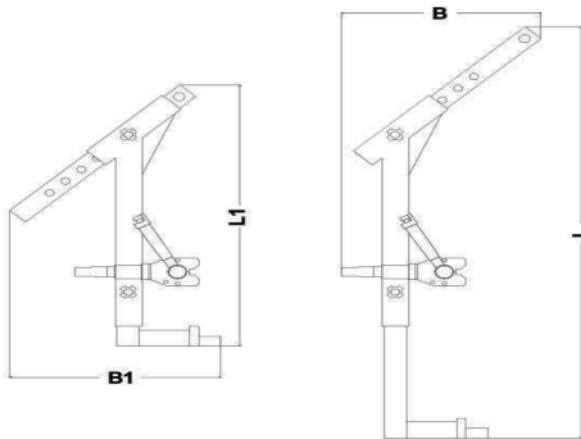
- Magnet with lifting arm for turning workpieces through 90°
- Very convenient for loading and unloading of horizontal machining center's and lathes
- Adjustable to suit a range of diameters or widths
- Workload up to 3000kg
- Workpieces size up to 1000mm
- UK agents for yearly LOLER compliant testing, service, spares and repair.
- UK Operator training also available



Applications:

Turning workpieces

Loading and unloading horizontal machining centre's and lathes



Model	Item-Nr.	Slices-Ø (mm)	Flat material Dimensions (mm)	Max. Load capacity with stop (kg)	Max. Load capacity without stop (kg)	Dimensions (mm)				Weight (kg)
						L	B	L1	B1	
FX-HV 200	1103 0202	250 - 750	2000 x 750	200	40	1000	400	715	390	24
FX-HV 400	1103 0402	400 - 1000	2000 x 1000	400	80	1250	450	795	475	31
FX-HV 800	1103 0802	500 - 1200	2500 x 1250	800	160	1500	500	1040	520	64
FX-HV 2000	1103 2002	500 - 1200	2500 x 1250	2000	400	1800	600	1200	650	243
FX-HV 3000	1103 3002	500 - 1200	2500 x 1250	3000	600	1800	600	1200	650	294

max. Operation temperature 80°C • Weight incl. Magnet

The advantages of magnetic handling:

- Considerable saving in time and money
- One man operation
- More effective use of floor space
- No workpiece damage
- Improved labour conditions

Why BUX

- Longest experience in the magnetic market
- State of the art designs
- Proven reliability
- Leading in safety (CE certifications)
- Guaranteed performance (Test certificate)
- European manufacture

Additional Towing Eye:

If a HV system is not the answer we can also offer a single- magnet system with a additional towing eye, our FX range consists of high-energy magnets which can be fully activated in only 90° Switching travel, and works completely non-rebound and is self-locking.

The additional towing eye can be added to our FX permanent magnet range. The FX lifting magnets in standard version convince with their wide range of applications. The FX range has achieved good results at both, a large air gap as well as thin flat and round materials. It has a compact design and low weight. The device is characterized by great robustness and a very good price/performance ratio.

Please contact us to discuss your application and we will advise on the solution to suit.

