

# LIFTS ALL

*A new approach to product handling*



*Tell us what you want to handle and we will design and install the perfect system*



Join the world of weightless handling

DALE LIFTING AND HANDLING SPECIALISTS 0161 223 1990

# LIFTS ALL HANDLING SYSTEM

## Aluminium crane system

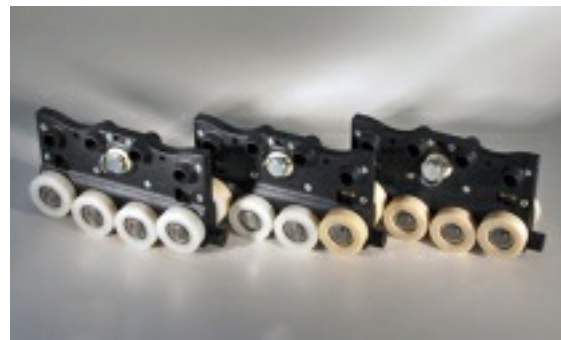
# LIFTS ALL



*Safe*  
*Smooth*  
*Silent*

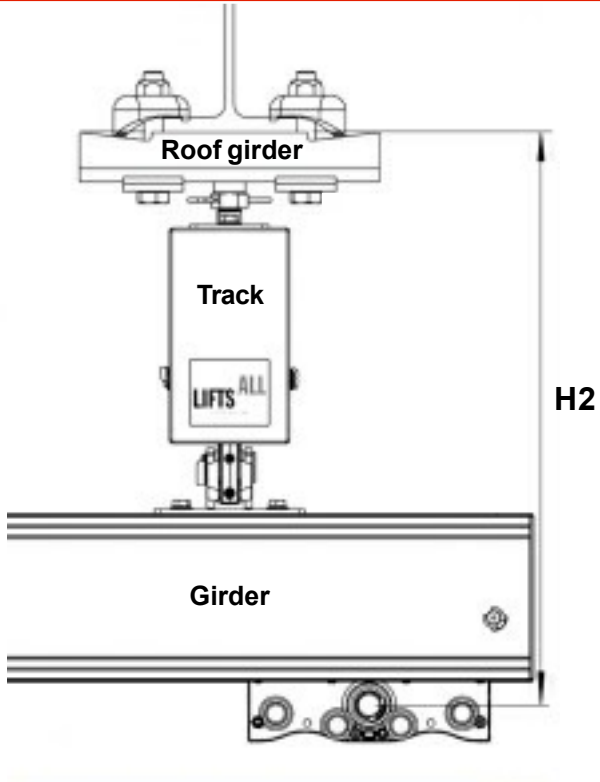


The profile grooves can be equipped with covers for clean room areas, e.g. in medicine and food industries, and may prevent an accumulation of dirt.



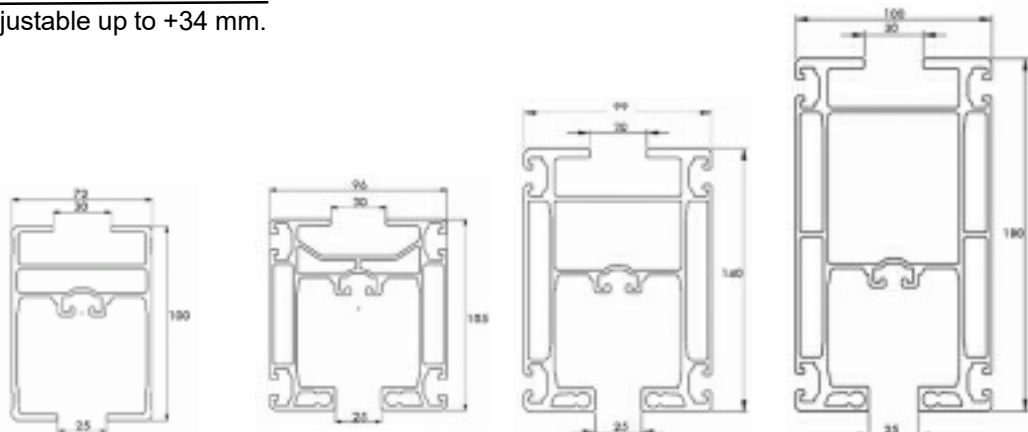
The trolleys are made of glass fiber which make them completely silent. They can handle loads up to 600 kg.

# LIFTS ALL HANDLING SYSTEM



Track	Girder	H2 *
XS	XS	391 mm
S	XS	396 mm
S	S	401 mm
M	XS	431 mm
M	S	436 mm
M	M	471 mm
L	XS	471 mm
L	S	476 mm
L	M	511 mm
L	L	551 mm

\* Adjustable up to +34 mm.



Profile	XS	S	M	L
Weight (kg/m)	3,00	5,00	7,00	8,50

# LIFTS ALL HANDLING SYSTEM



## The World of Weightless Handling!

Lifts All systems give you the complete solution for a successful handling of any load up to 600 kg.

- Overhead rail system or crane for easy movement in any direction.
- Balancer lifting device for weightless and fast lifting.
- Gripper, tailor-made for your requirements.

All Lifts All products are using compressed air and are CE marked and Atex approved II 2G

### Balancing

Balancing makes the load weightless with a superior flexibility and excellent precision. Balancing with preset weights - Dual Balancing - is preferably used when loads of equal weight are to be handled.

Solutions for balancing different weights with our unique technique - Multi-Balancer - will be adapted for your particular loads.

**Jiggle** - With the load weightless – the operator can fast and accurate manipulate the load with his hands on the object.

**Pro Speed-Handle or Sensi-Touch** - Pro Speed-Handle or Sensi-Touch makes various weights and sizes of the load easy and fast to handle. A balance of approx. +/- 10 cm in height makes it easy to mount for example a roll to an axle. Proportional control of up and down movements.

We are happy to make your handling weightless and ergonomic. You give us your trust and **DALE** will provide you with a superior solution for your handling.

Please contact us for a complete review of your work place. handling



**DALE** Lifting Handling Specialists  
are the UK distributors of the LIFTS **ALL** Handling System  
2 Kelbrook Road, Manchester M11 2QA  
Email: [sales@dale-lifting.co.uk](mailto:sales@dale-lifting.co.uk)