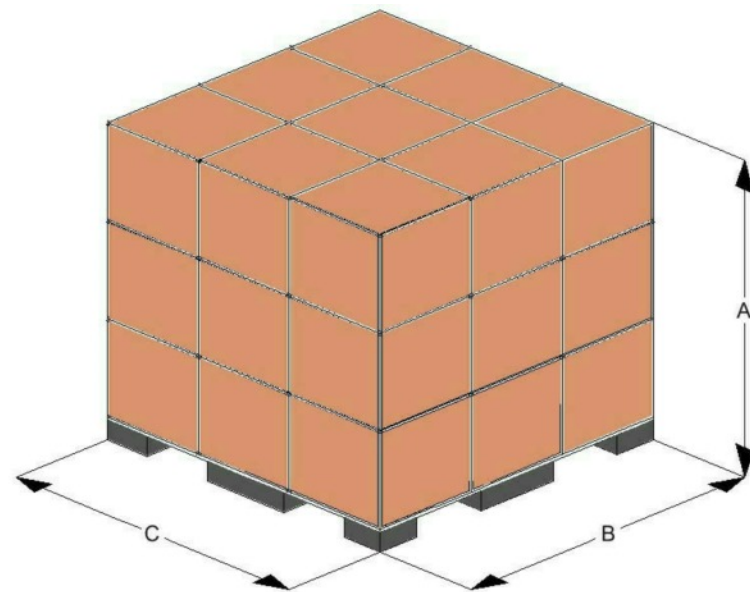
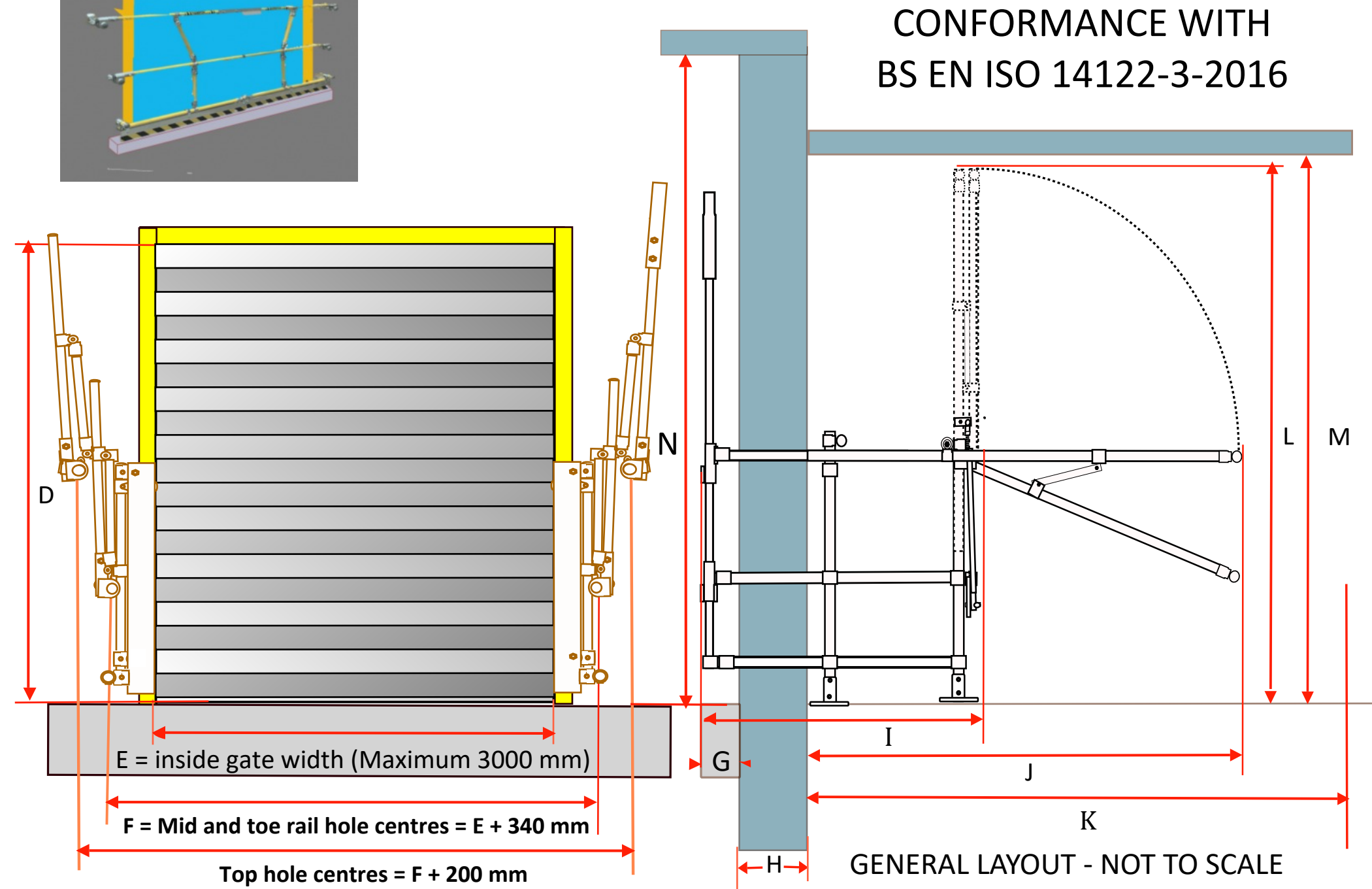
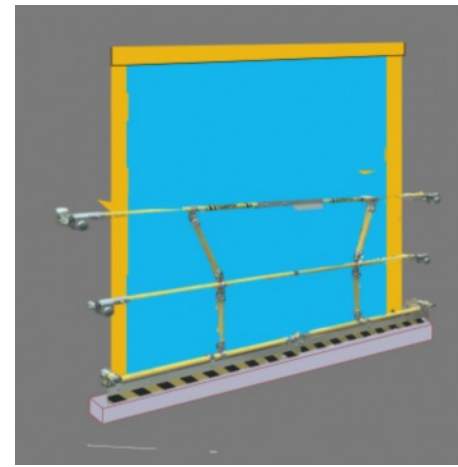


Key	Item	Dims. mm
A	Max. Pallet Height	
B	Max. Pallet Depth	
C	Max. Pallet Width	
D	Door Opening Height	
E	Door Opening Width	
F (1)	Proposed Hole Cross Centres	
G (2)	Depth of Ledge	
H	Wall Thickness	
I (3)	Depth of Gate Closed	
J (4)	Depth of Gate Open Within Room	
K	Operational Depth Available	
L (5)	Height of Inner Gate Closed	
M	Headroom Within Room	
N	Headroom Outside Door	



SIGMA LAYOUT FOR ROLLER SHUTTER OR INWARD OPENING DOORS QUESTIONNAIRE



Notes on Key:

1. 6 x 50 mm drilled holes are required. These are for 42.4 mm tubes. Can be grouted after installation. Allow clearance for any internal studding within wall and obstructions around door frame.
2. If no ledge is present then a bracket must be fitted at sill level to support gate in closed position. Minimum 150 mm deep x width of opening.
3. To be confirmed by us - dimension will be minimum required to accommodate your dimensions,.
4. To be confirmed by us- dimension will be minimum required to accommodate your dimensions.
5. To be confirmed by us - dimension will be minimum required to accommodate your dimensions

Your Name	
Company Name	
Address	
Tel. No.	
Email Address	

EMAIL to mezzbarriers@dale-lifting.co.uk
 FAX to 0161 223 6767

www.dlhonline.co.uk
MEZZBARRIERS
 Div. of Dale Lifting and Handling
 0161 223 1990