

**Camlok**  
Lifting Clamps

## 92 SERIES VERTICAL PLATE CLAMPS

**Standard plate clamps with safety lock**  
Working load limit (WLL) 500 - 3000kgs

These clamps are primarily used for transporting sheet metal and steel plates in the vertical position, as well as lifting and rotating through 180 degrees

They can also be used for transporting steel constructions and profiles.

It is recommended to use a pair of plate clamps in conjunction with a spreader beam for long materials which have a tendency to sag or flex.

### Function

The jaw is opened and closed with the locking lever except for the 92-500 which uses a positive spring-loaded cam.

The safety lock spring loads the cam jaw, preventing the clamp from opening even when there is no load.

### Workmanship and parts

These plate clamps are service-friendly, making it easy to exchange parts, which are readily available. Clamp repairs are available through the factory, or can be done by a competent person.

The 92-500 is equipped with positive spring-loaded cam, but comes without locking lever.

**NB: The plate surface of the material must have a hardness level below HRC 30/Brinell 300.**

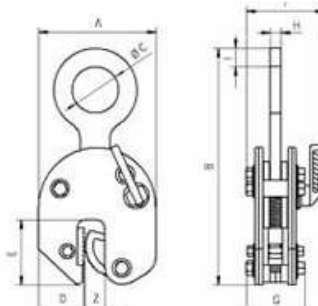


With hook ring



With master link

With master link and chain



**92 Series plate clamps**  
Working load limit 500 - 3000kgs

Model	WLL kg*	Jaw (Z) capacity mm	A mm	B mm	C mm	D mm	E mm	F mm	G mm	H mm	I mm	Weight kg**
92-500	50 - 500	0 - 16	99	195	29	33	47	50	48	11	15	1.5
92-1500	100 - 1500	0 - 20	126	225	50	49	70	82	55	13	20	3.0
92-2000	200 - 2000	0 - 32	192	312	80	75	96	100	81	20	24	8.0
92-3000	300 - 3000	0 - 32	192	320	80	75	96	100	81	30	30	12.0

**PLEASE NOTE:** Units are supplied as standard with a hook ring. Link fitting and chain are available on request as a special order. \*Per clamp.

\*\*Weight per clamp with hook ring. \*\*\*Standard length of chain = 4



© 2017 Columbus McKinnon Corporation All rights reserved Privacy Policy

[HOME](#) [ABOUT CAMLOK](#) [PRODUCTS](#) [CAMLOK SAFETY](#) [LIBRARY](#) [NEWS/MEDIA](#) [CONTACT US](#)









PLEASE NOTE: Units are supplied as standard with a hook ring. Link fitting and chain are available on request as a special order. Also available with 'Sharp Leg' body shell or extra thick shell plates for dragging. Please contact sales team for further details and prices. \*Per clamp. \*\*Weight per clamp with hook ring. \*\*\*Standard length of chain = 4-6 links.



© 2017 Columbus McKinnon Corporation All rights reserved Privacy Policy

HOME ABOUT CAMLOK PRODUCTS CAMLOK SAFETY LIBRARY NEWS/MEDIA CONTACT US

















