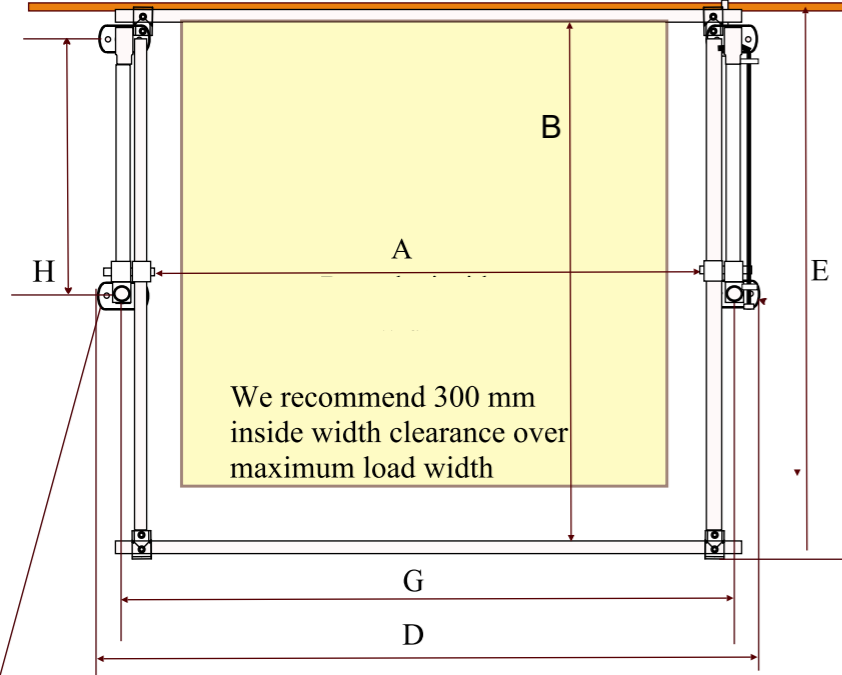
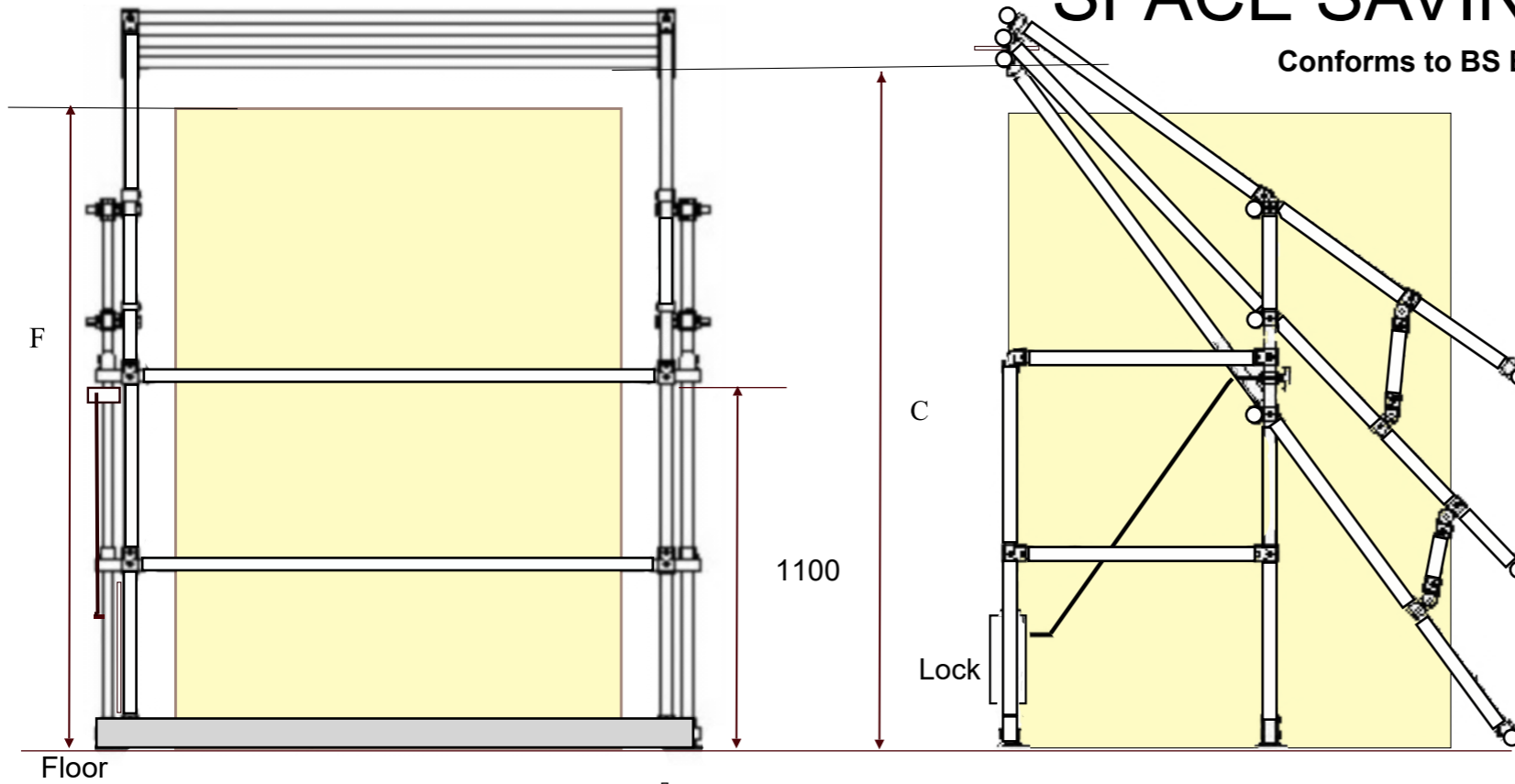


Conforms to BS EN ISO 14122-3:2016



Delta Standard Features:

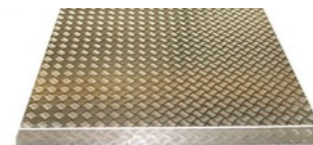
- Galvanised tubular steel construction or safety yellow thermoplastic tube coating with galvanised tube clamps
- Stainless steel hex screws for component connections
- Plastic pivot bushes
- Galvanised bolts and nuts with plastic locking collar
- Aluminium kick plate 100 mm high
- Gravity lock with pull handle prevents inadvertent opening
- Supplied with major sections assembled for simple installation,
- Installation and operating instructions provided
- Balanced action provides easy opening
- All parts are replaceable
- Failsafe operation
- CE marked

Optional Extras

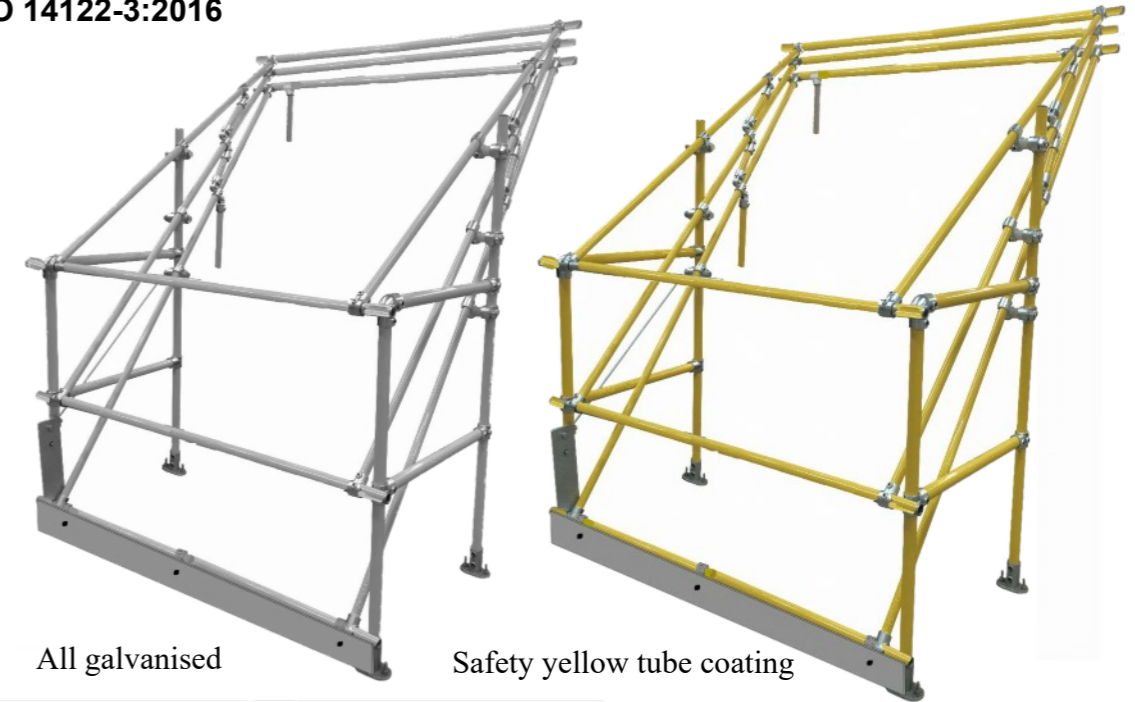


Easy fit PVC Hazard Warning Tube Sleeves sold in one metre lengths, can be cut to suit.

Additional hand railing to complete barrier or extend around platform as required.



Floor plate in aluminium checker plate 1250 mm wide x 1150 mm deep with 100 mm fold to protect edge (Recommended for wood floors)



All galvanised

Safety yellow tube coating

Benefits:

- Modular flexibility - Modular system designs adapt to on-site conditions with the flexibility to retrofit, replace broken sections or can disassemble for repositioning when required.
- Flat pack delivery - Flat pack delivery of all main sections pre-assembled, Palletised delivery to site.
- No-weld assembly of components eliminates the need for hot works permits and site shutdowns to deliver a safer, quicker set-up and installation with little or no damage to finish.
- Reduced corrosion - Hot dip galvanised or thermoplastic tube coating assembled with galvanised tube clamps with stainless steel hex screws reduces corrosion from welding, cutting, grinding.

Delta Dimensions in mm

Model	A Inside width	B Inside depth	C Inside height	D Overall width	E Overall depth	F Max Pallet Height	G	H	Overall Height
Std1500	1500	1500	2150	1790	1600	2000	1650	800	2350
Std2000	2000	1500	2150	2290	1600	2000	2150	800	2350
Std2500	2500	1500	2150	2790	1600	2000	2650	800	2350
Std3000	3000	1500	2150	3290	1600	2000	3150	800	2350
Bespoke	Up to 3500	Up to 2000	Up to 2650	A + 290	B + 100	C - 150	A + 150	1/2 B + 50	Up to 2850

Dimensions are approximate, due to differences in the tube clamps and the assembly process, the actual dimensions may vary slightly. Any critical dimensions such as hole fixing centres should be determined when the product is actually on your site. We reserve the right to change the design without notice.

