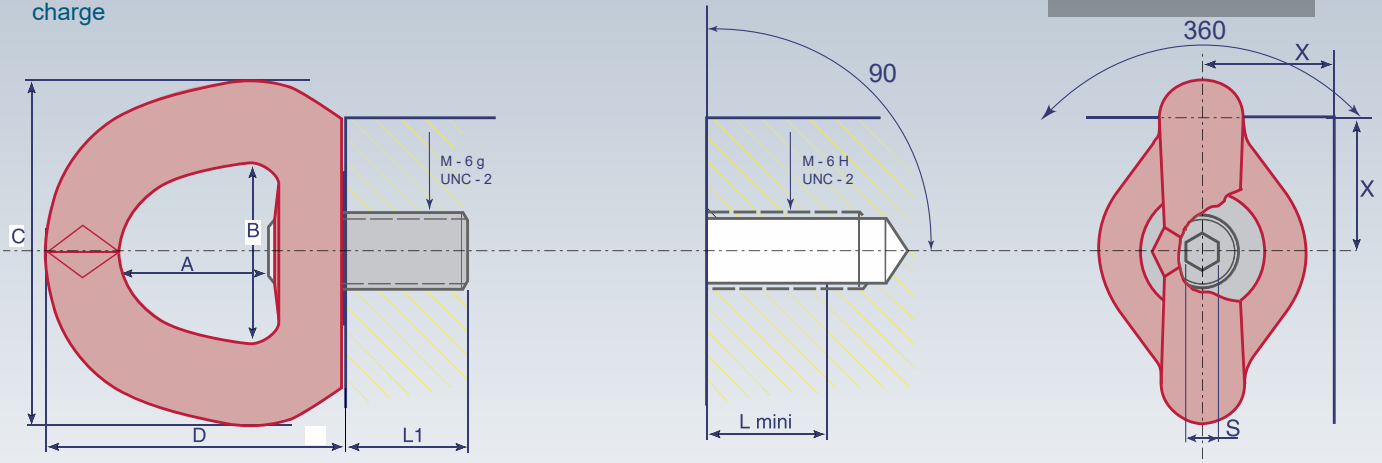




Swiveling under load
 Pivotant sous charge



CODIPRO

1,000 LBS = 0,4536

Reference Réf é rence	WLL CMU Hö chstbelastung	Safety factor Coef. sé curité Sicherheitsfak tor	Diameter Diamè tre Durchmes ser	ø	P Standard	N. m		S	A	B	C	D	Weight Poids	
SEB M 8	0,3 TO	5	M 8 (x1,25)			14	6	20	4	30	34	60	57	0,24 Kg
SEB M 10	0,6 TO	5	M 10 (x1,5)			17	10	20	4	30	34	60	57	0,24 Kg
SEB M 12	1 TO	5	M 12 (x1,75)			21	15	20	4	30	34	60	57	0,24 Kg
SEB M 16	1,6 TO	5	M 16 (x2)			27	50	35	8	38	45	90	78	0,8 Kg
SEB M 20	2,5 TO	5	M 20 (x2,5)			30	100	35	8	38	45	90	78	0,8 Kg
SEB M 24	4 TO	5	M 24 (x3)			36	160	50	14	58	70	134	115	2,6 Kg
SEB M 30	6,3 TO	5	M 30 (x3,5)			45	250	50	14	58	70	134	115	2,7 Kg
SEB M 36	10 TO	5	M 36 (x4)			54	320	70	14	88	94	190	166	8 Kg
SEB M 42	12,5 TO	5	M 42 (x4,5)			63	400	70	14	88	94	190	166	8,1 Kg
SEB M 48	15 TO	4	M 48 (x5)			68	600	70	19	88	94	190	166	9 Kg
SEB U 038	1,200 LBS	5	UNC 3/8"-16			16	8 _{FL}	20	4	30	34	60	57	0,24 Kg
SEB U 050	2,200 LBS	5	UNC 1/2"-13			21	12 _{FL}	20	4	30	34	60	57	0,24 Kg
SEB U 058	3,800 LBS	5	UNC 5/8"-11			27	40 _{FL}	35	8	38	45	90	78	0,8 Kg
SEB U 075	5,500 LBS	5	UNC 3/4"-10			30	80 _{FL}	35	8	38	45	90	78	0,8 Kg
SEB U 100	10,000 LBS	5	UNC 1"-8			36	125 _{FL}	50	14	58	70	134	115	2,6 Kg
SEB U 125	14,000 LBS	5	UNC 1 1/4"-7			45	200 _{FL}	70	14	58	70	134	115	2,8 Kg

DALE Lifting and Handling Specialists

2 Kelbrook Road, Manchester M11 2QA

Website: www.dlhonline.co.uk Email: sales@dale-lifting.co.uk

Websites: dlhonline.co.uk