

Sigma vacuum lifter application

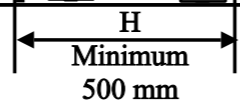
Sigma Standard Features:

- Conforms to BS EN ISO 14122-3:2016
- Galvanised Tubular steel construction
- Aluminium kick plate 100 mm high
- Supplied complete for simple installation (Gate bars removed for shipment)
- Balanced action provides easy opening
- All parts are replaceable . Failsafe operation

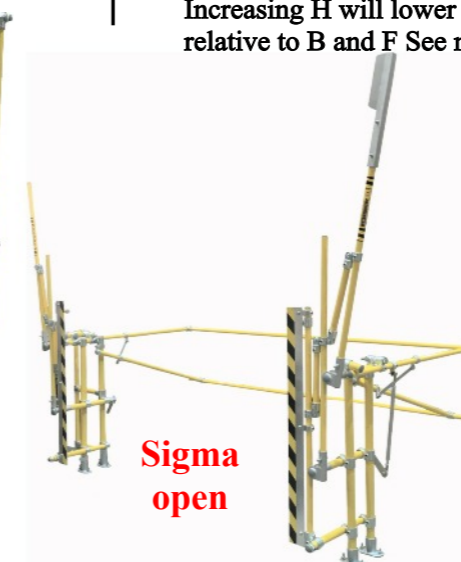
Optional Features:

- Inside width up to 3000 mm
- Inside depth up to 2000 mm
- Special doorway model. (See far right Contact us for more info). Can be used with hoist.
- Safety Yellow thermoplastic tube coating.

Additional hand railing to complete barrier infill or extend around platform, as required
 Floor plate in aluminium checker plate 1250 mm wide x 1150 mm deep with 100 mm fold to protect edge (Recommended for wood floors).
 Easy fit PVC hazard warning tube sleeves
 Sold in one metre lengths, can be cut to suit
 Gate in safety yellow thermoplastic tube coating



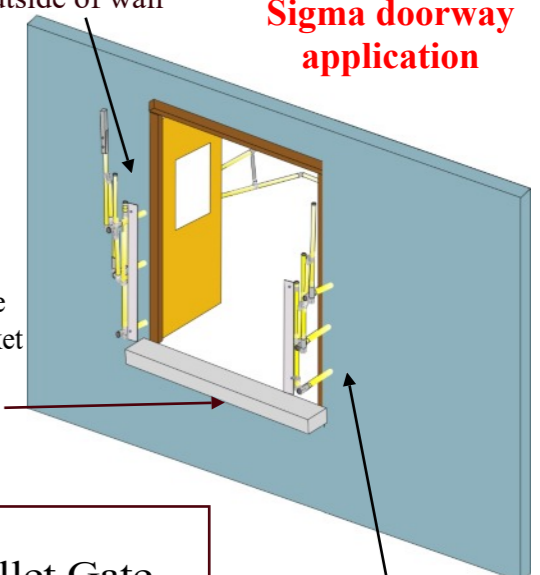
Sigma Space Saving when shut



Sigma open

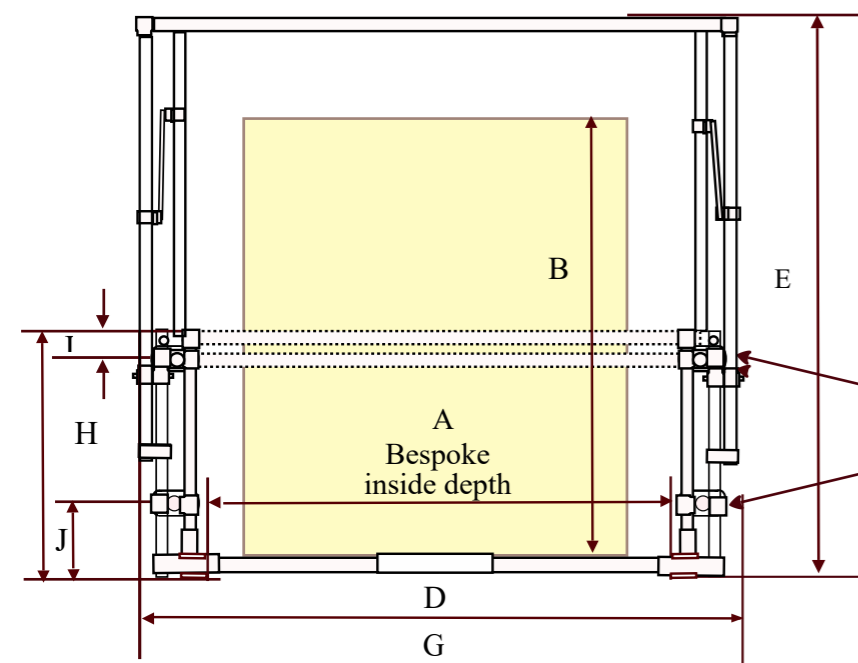
Edge Gates mounted on outside of wall

Sigma doorway application

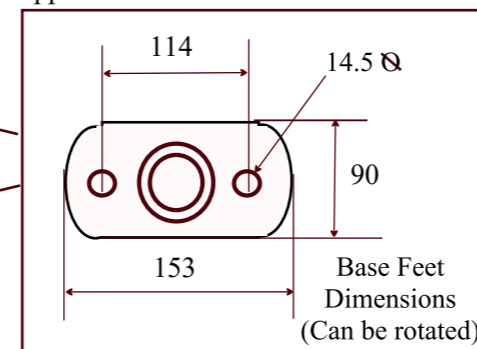


If no outside ledge is available, a bracket should be fitted to support gate

Tubes through drilled holes in wall



Feet centres dimensions G x H
 Requires 8 x M12 bolts/anchors
 Not supplied



Base Feet Dimensions (Can be rotated)

MEZZBARRIERS

Model: Sigma Universal Bespoke Safety Load/Pallet Gate

General arrangement - Not to scale
 Layout and dimensions may be subject to change without notice
 Critical dimensions such as feet centres can be confirmed prior to manufacture

A(i) Inside width	B(i) Load Depth	C (iii) Height	D* Overall Width	E Overall Depth	F (ii) Max load height	G GAP	H variable	I Min.	J Min.	Issue Date
Bespoke	Bespoke	See notes	A + 780	See notes	Up to 2250 mm	A + 800	TBA	115	175	07/2018

Notes: (i) Dimensions made to requirements - A up to max 3000 mm. B up to max 2000 mm
 (ii) Max overall height of inner gate up to max 2400 mm C .
 (iii) C is dependant on B and H. This will alter E relative to optimum load depth B . If headroom is an issue then H must be increased so that dimension C can be lower in relation to load height F.
 (iv) We recommend that 150 mm minimum clearance on F with inner gate folded up
 * Width clearance required for mechanism to operate.