

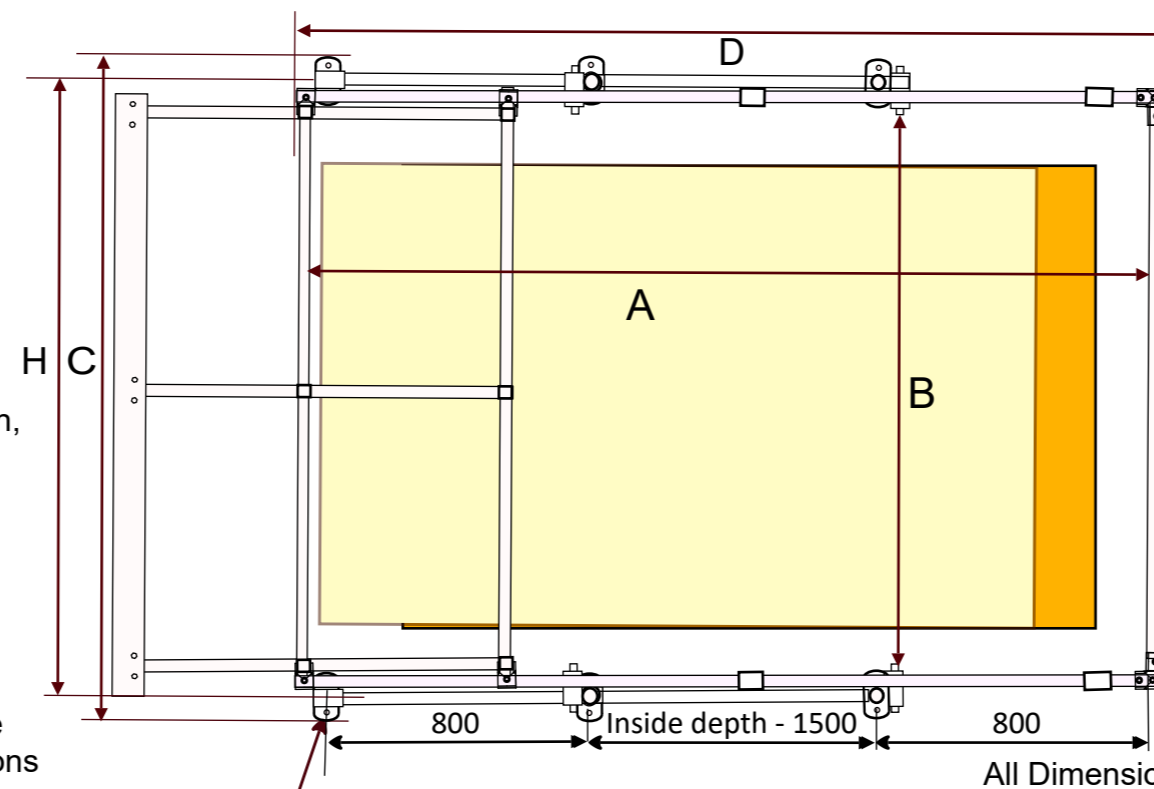
Conformance with BS EN ISO 14122-3:2016

Titan Standard Features:

- Galvanised tubular steel construction or safety yellow thermoplastic tube coating with galvanised tube clamps
- Stainless steel hex screws for component connections
- Plastic pivot bushes
- Galvanised bolts and nuts with plastic locking collar
- Aluminium kick plate 100 mm high
- Supplied with major sections assembled for simple installation,
- Installation and operating instructions provided
- Balanced action provides easy opening
- All parts are replaceable
- Failsafe operation
- CE marked

Benefits:

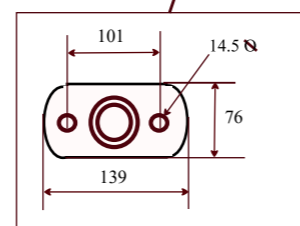
- Modular flexibility - Modular system designs adapt to on-site conditions with the flexibility to retrofit, replace broken sections or can disassemble for repositioning when required.
- Flat pack delivery - Flat pack delivery of all sections, Palletised delivery to site and no specialist transport and craneage.
- No-weld assembly of components eliminates the need for hot works permits and site shutdowns to deliver a safer, quicker set-up and installation with little or no damage to finish.
- Reduced corrosion - Hot dip galvanised or thermoplastic tube coating assembled with galvanised tube clamps with stainless steel hex screws reduces corrosion from welding, cutting, grinding.



Side frame arrangement can vary depending on dimensions
 Standard configuration inside dimensions in millimetres

- 1500 w x 2000 d
- 1500 w x 2500 d
- 1500 w x 3000 d
- 1500 w x 3500 d
- 1500 w x 4000 d
- 2000 w x 2000 d
- 2000 w x 2500 d
- 2000 w x 3000 d
- 2000 w x 3500 d
- 2000 w x 4000 d
- 2500 w x 2000 d
- 2500 w x 2500 d
- 2500 w x 3000 d
- 2500 w x 3500 d
- 2500 w x 4000 d
- 3000 w x 2000 d
- 3000 w x 2500 d
- 3000 w x 3000 d
- 3000 w x 3500 d
- 3000 w x 4000 d
- 3500 w x 2000 d
- 3500 w x 2500 d
- 3500 w x 3000 d
- 3500 w x 3500 d
- 3500 w x 4000 d

Intermediate dimensions can also be specified on request.



Model	A Inside width	B Inside Depth	C Overall width	D Overall depth	E Standard overall height (1)	F Optimum load height (1)	G Maximum load height (2)	H Base feet cross centres (3)
Titan	Up to	Up to	A + 290	B + 200	F + 600	1800	2000	A + 150
Bespoke	max 3500	max 4000						

Notes
 (1) Special heights contact us. (2) Pallet/load placed 200 mm back from edge (Dim B needs to be 400 mm longer than load/pallet). (3) Dimensions are approximate only. Due to differences in the tube clamps and the assembly process, the actual dimensions may vary slightly. Any critical dimensions such as hole fixing centres should be determined when the product is actually on your site. We reserve the right to change the design without notice.