

EC 'STANDARD' FOLDING ENGINE CRANES



Model / art. no.	Article no.	Boom position	Capacity kg	Min. hook height mm	Max. hook height mm	Boom length mm	Weight kg
CR-1000 (44018)	N4300006215	P1	1000	439	1978	620	110
		P2	900	341	2021	720	
		P3	800	243	2075	820	
		P4	700	145	2131	920	
		P5	600	0	2170	1020	

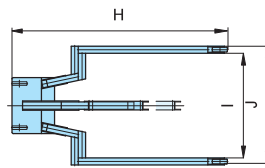
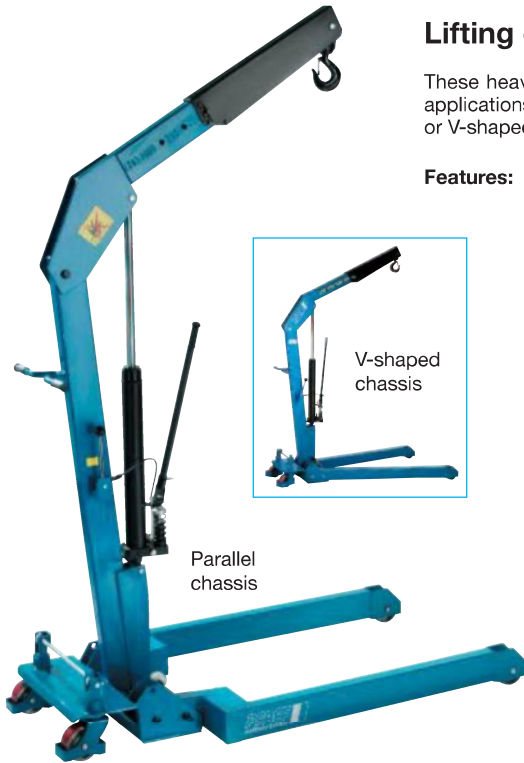
The Steerman engine crane features welded construction with rugged reinforced tubular steel. The special hydraulic long rams are equipped with a patented built-in by-pass mechanism. The innovative design allows it to be quickly folded away for very easy transportation. Ready to despatch straight off the shelf.

HWK KLS 'HEAVY DUTY' FOLDING ENGINE CRANES

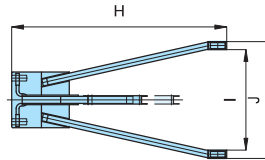
Lifting capacities 500 - 1000kg

These heavy duty hydraulic engine cranes are designed to solve all your workshop lifting applications. Configurations are available in 500 and 1000kg versions and can have a parallel or V-shaped chassis.

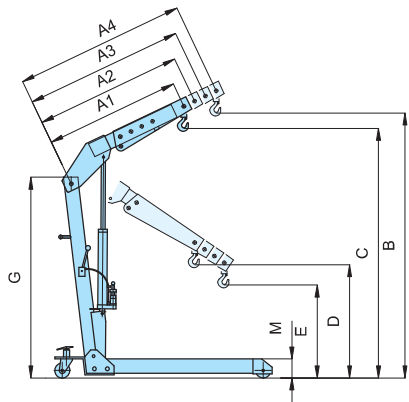
- Features:**
- A hydraulic system that can rotate for use in confined spaces.
 - Parking brake fitted as standard to secure the crane firmly in position.
 - Cantilever arm can raise to 2080mm & can be extended to suit various applications.
 - Quickly and easily folded away by one person.



Parallel chassis



V-Shaped chassis



Model / article no.	Chassis type	Lifting capacity				B mm	C mm	D mm	E mm	G mm	H mm	I/J mm	M mm	Weight kg
		A1 kg/mm	A2 kg/mm	A3 kg/mm	A4 kg/mm									
HWK KLS 0.5 40008514	Parallel	500/1130	400/1230	350/1330	250/1430	2200	2080	940	770	1680	1820	990/850	160	138
HWK KLS 0.5 40008515	V	500/1130	400/1230	350/1330	250/1430	2200	2080	940	770	1680	1820	990/850	160	132
HWK KLS 1.0 40008516	Parallel	1000/1130	800/1230	700/1330	500/1430	2200	2080	940	770	1680	1820	990/850	160	156
HWK KLS 1.0 40008517	V	1000/1130	800/1230	700/1330	500/1430	2200	2080	940	770	1680	1820	990/850	160	150

dlhonline.co.uk
 Div. of Dale Lifting and Handling
 0161 223 1990 sales@dale-lifting.co.uk